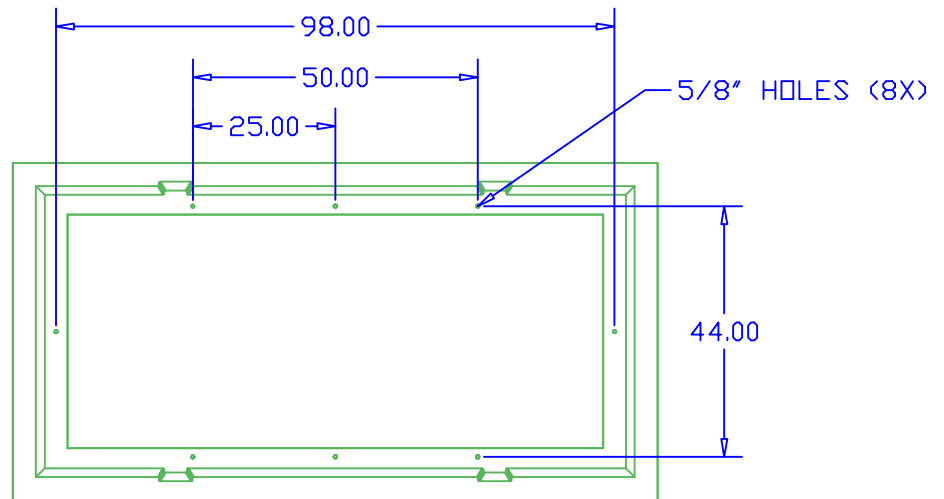
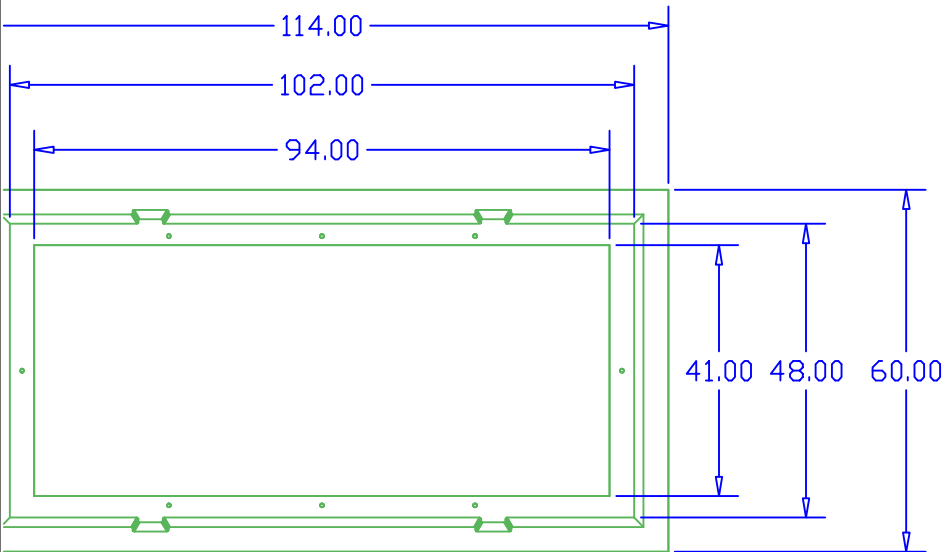
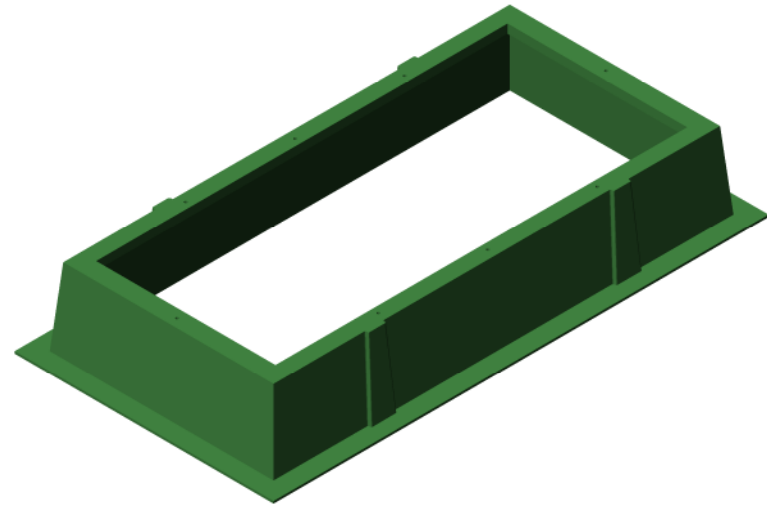


REVISIONS			
REV	DESCRIPTION	DATE	APPROVED



DIM +/- 1/4"

The information contained in this drawing is the sole property of Highline Products. Any reproduction in part or whole without the written permission of Highline Products is prohibited

**FGS1024818DRSC8**

L BEECHER 11/19/2007 NOTE:8312

**HIGHLINE**  
PRODUCTS