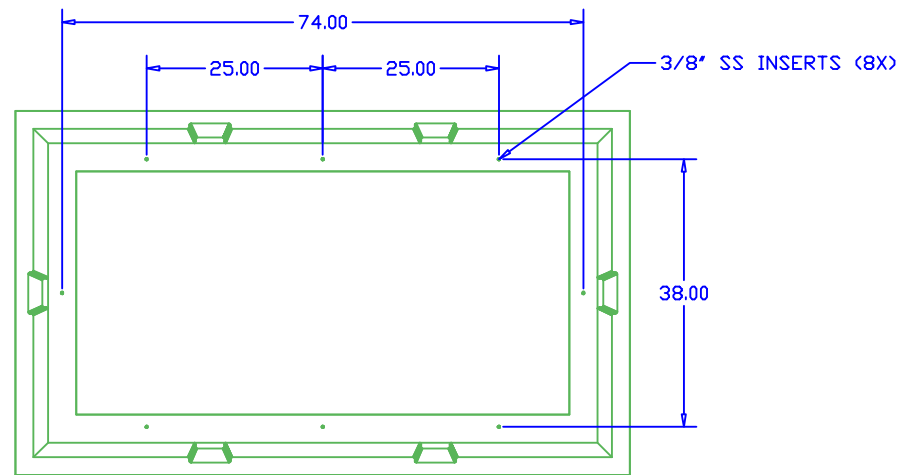
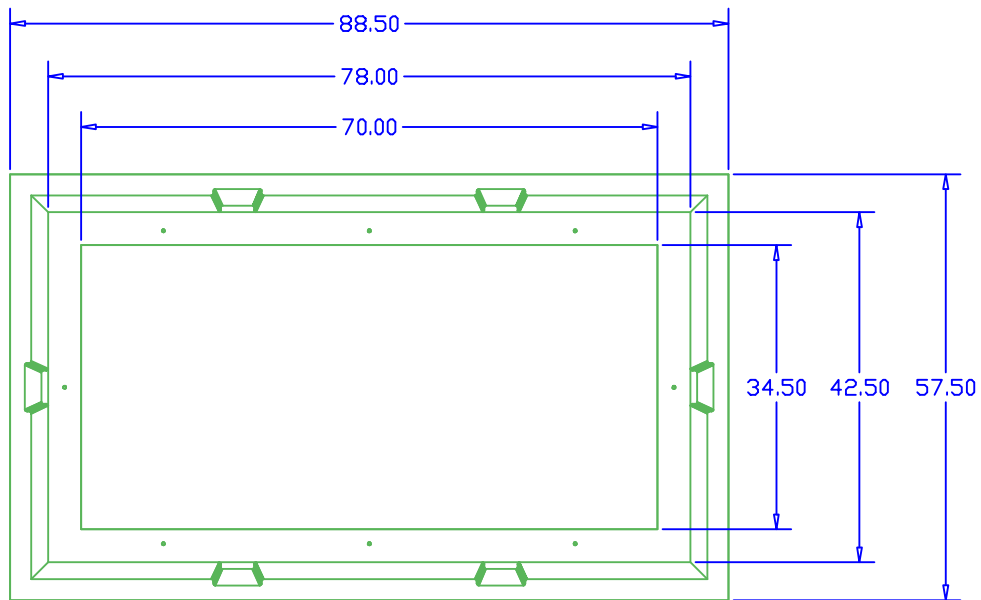
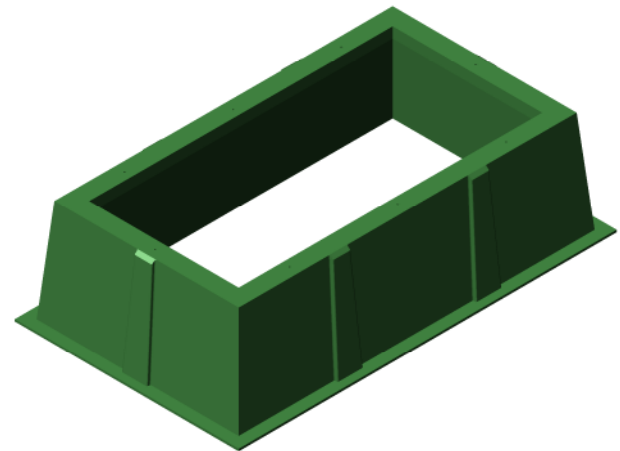
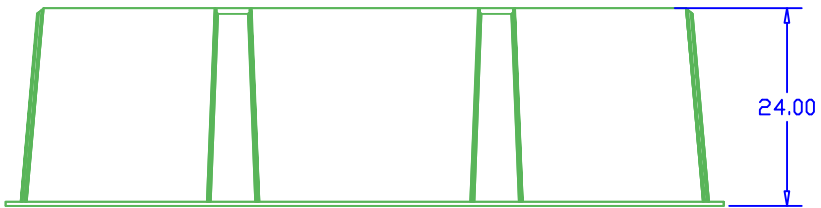


REVISIONS			
REV	DESCRIPTION	DATE	APPROVED



DIM +/- 1/4"

The information contained in this drawing is the sole property of Highline Products. Any reproduction in part or whole without the written permission of Highline Products is prohibited

**FGS784324DRSC6**

**L BEECHER 05/28/2009 NOTE:8028**

**HIGHLINE**  
PRODUCTS