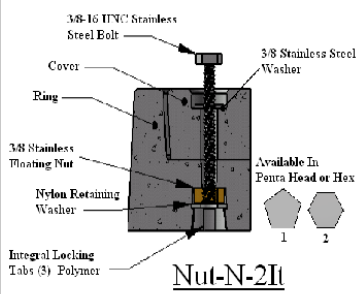
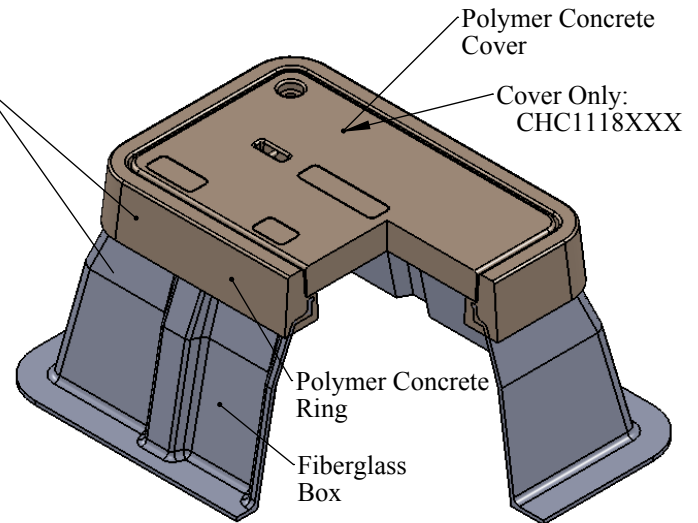


Box Only:
CHB111812



LOAD RATING LOGO

PROPRIETARY AND CONFIDENTIAL
THE INFORMATION CONTAINED IN THIS DRAWING IS THE SOLE PROPERTY OF HIGHLINE PRODUCTS. ANY REPRODUCTION IN PART OR AS A WHOLE WITHOUT THE WRITTEN PERMISSION OF HIGHLINE PRODUCTS IS PROHIBITED.

UNLESS OTHERWISE SPECIFIED:	NAME	DATE
DIMENSIONS ARE IN INCHES TOLERANCES: +/- 1/8" FRACTIONAL ± ANGULAR: MACH ± BEND ± TWO PLACE DECIMAL ± THREE PLACE DECIMAL ±	SK	07.06.09
INTERPRET GEOMETRIC TOLERANCING PER:		
MATERIAL: Polymer Concrete/ Fiberglass		
FINISH		
DO NOT SCALE DRAWING		

DRAWN/ ENG.	
CHECKED	
HIGHLINE APPR.	
MFG APPR.	
Q.A.	
COMMENTS:	
BOX WEIGHT= 41 lbs.	
COVER WEIGHT= 23 lbs.	
UNITS PER PALLET= # 24	



Composite Handhole Assembly
Model CHA111812
Tier8 (S) 12,000 lbs., Tier15(H) 22,500 lbs.

SIZE	DWG. NO.	REV
A	CHA111812	A
SCALE: NTS		SHEET 1 OF 1

5

4

3

2

1