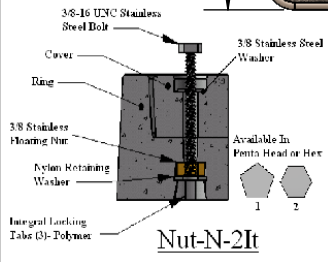
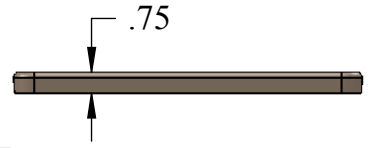
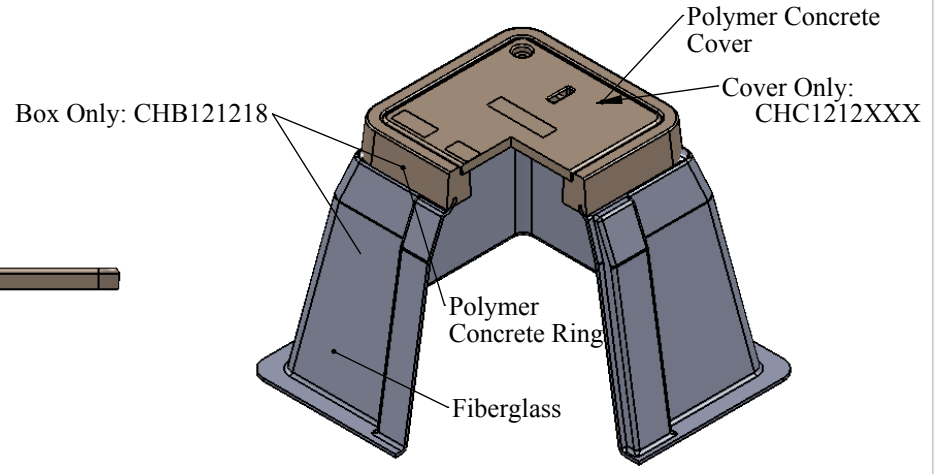
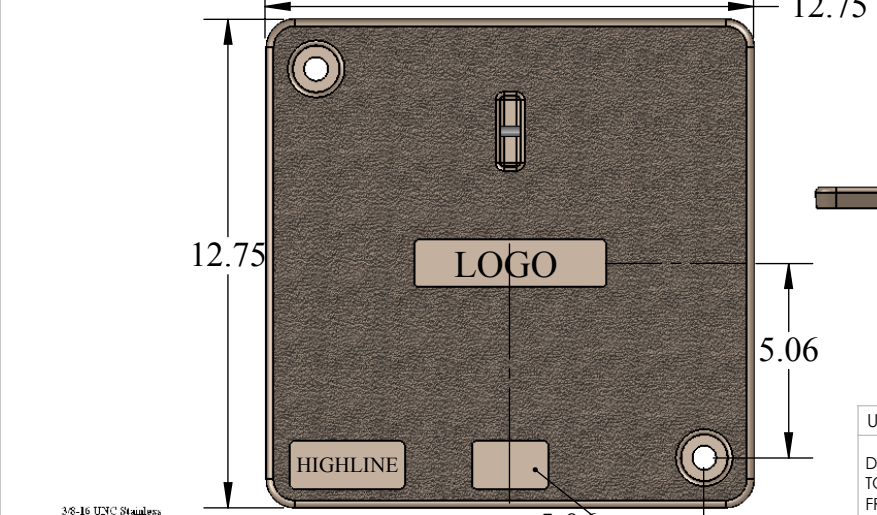
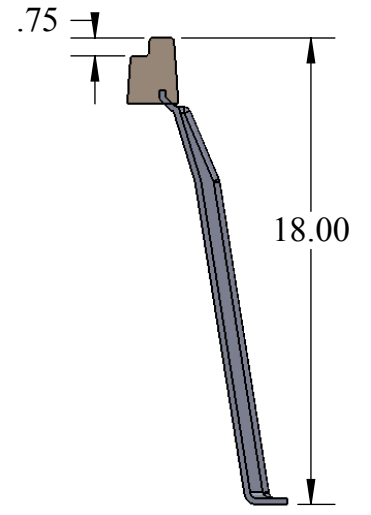
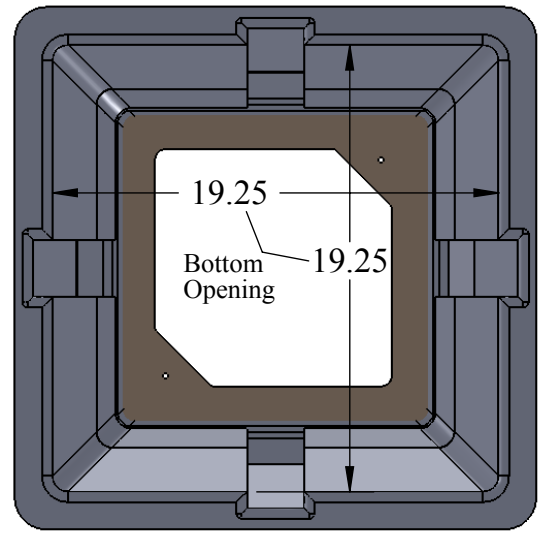


BOTTOM VIEW



PROPRIETARY AND CONFIDENTIAL
 THE INFORMATION CONTAINED IN THIS DRAWING IS THE SOLE PROPERTY OF HIGHLINE PRODUCTS. ANY REPRODUCTION IN PART OR AS A WHOLE WITHOUT THE WRITTEN PERMISSION OF HIGHLINE PRODUCTS IS PROHIBITED.

UNLESS OTHERWISE SPECIFIED:
 DIMENSIONS ARE IN INCHES
 TOLERANCES: +/- 1/8"
 FRACTIONAL ±
 ANGULAR: MACH ± BEND ±
 TWO PLACE DECIMAL ±
 THREE PLACE DECIMAL ±

INTERPRET GEOMETRIC TOLERANCING PER:
 MATERIAL: Polymer Concrete/ Fiberglass
 FINISH

DO NOT SCALE DRAWING

NAME	DATE
SK	07.04.09
DRAWN/ ENG.	
CHECKED	
HIGHLINE APPR.	
MFG APPR.	
Q.A.	
COMMENTS:	
BOX WEIGHT = 44 lbs.	
COVER WEIGHT= 10 lbs.	
UNITS PER PALLET= # 24	



Composite Handhole Assembly
 Model CHA121218
 Tier8 (S) 12,000lbs., Tier15 (H) 22,500 lbs.

SIZE	DWG. NO.	REV
A	CHA121218	A
SCALE: NTS		SHEET 1 OF 1