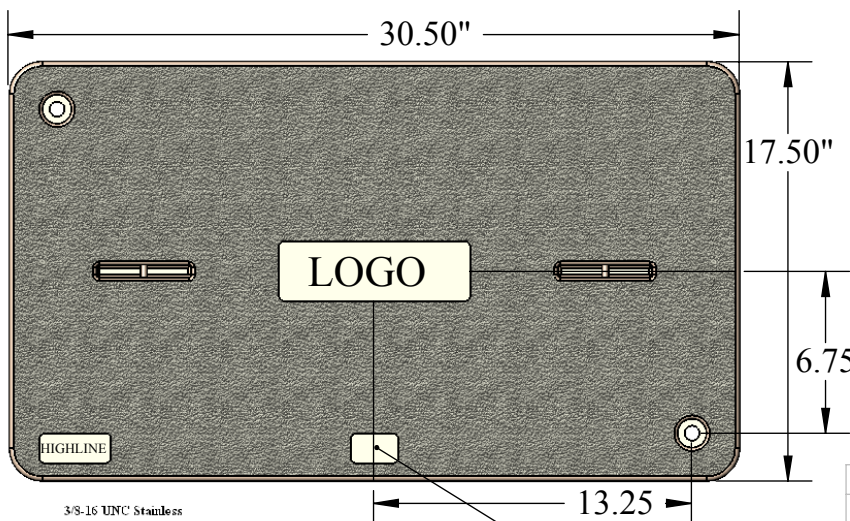
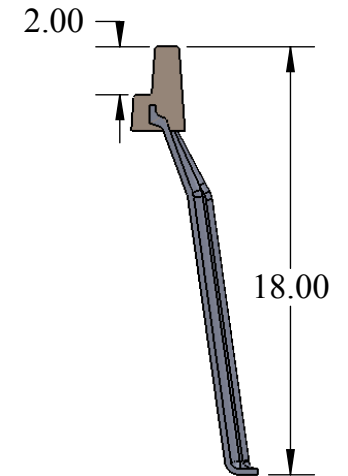
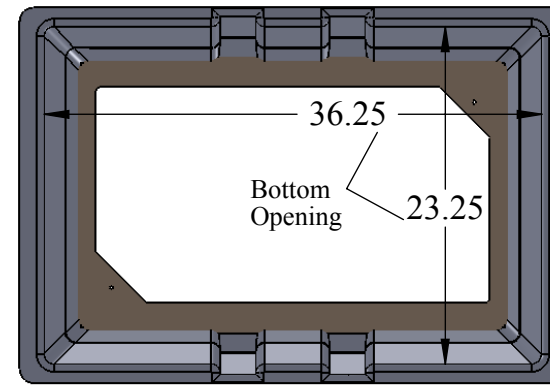


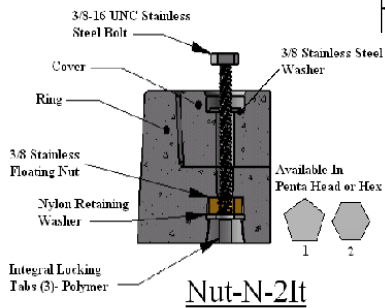
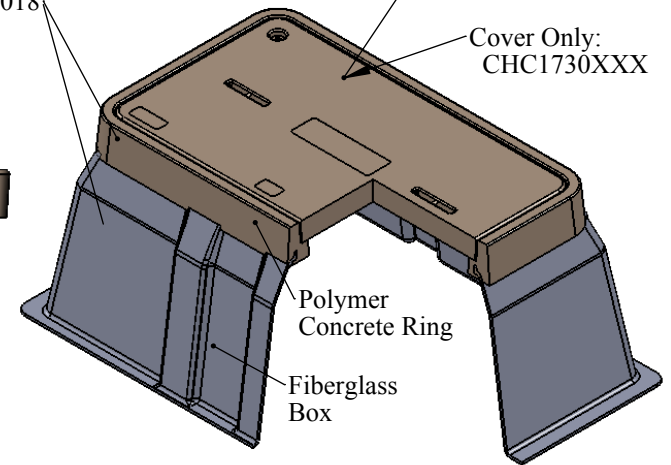
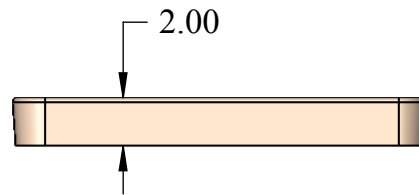
BOTTOM VIEW



Box Only:  
CHB173018

Polymer Concrete  
Cover

Cover Only:  
CHC1730XXX



LOAD RATING  
LOGO

**PROPRIETARY AND CONFIDENTIAL**  
THE INFORMATION CONTAINED IN THIS DRAWING IS THE SOLE PROPERTY OF HIGHLINE PRODUCTS. ANY REPRODUCTION IN PART OR AS A WHOLE WITHOUT THE WRITTEN PERMISSION OF HIGHLINE PRODUCTS IS PROHIBITED.

UNLESS OTHERWISE SPECIFIED:

DIMENSIONS ARE IN INCHES  
TOLERANCES: +/- 1/8"  
FRACTIONAL ±  
ANGULAR: MACH ± BEND ±  
TWO PLACE DECIMAL ±  
THREE PLACE DECIMAL ±

INTERPRET GEOMETRIC  
TOLERANCING PER:  
MATERIAL:  
Polymer Concrete/ Fiberglass  
FINISH

DO NOT SCALE DRAWING

NAME DATE

DRAWN/ENG. SK 07.12.09

CHECKED

HIGHLINE APPR.

MFG APPR.

Q.A.

COMMENTS:

BOX WEIGHT = 68 lbs.

COVER WEIGHT = 70 lbs.

UNITS PER PALLET= # 16



Composite Handhold Assembly  
Model CHA 173018  
Tier8 (S) 12,000 lbs., Tier 15 (H) 22,500 lbs.

SIZE	DWG. NO.	REV
<b>A</b>	<b>CHA173018</b>	<b>A</b>

SCALE: NTS SHEET 1 OF 1