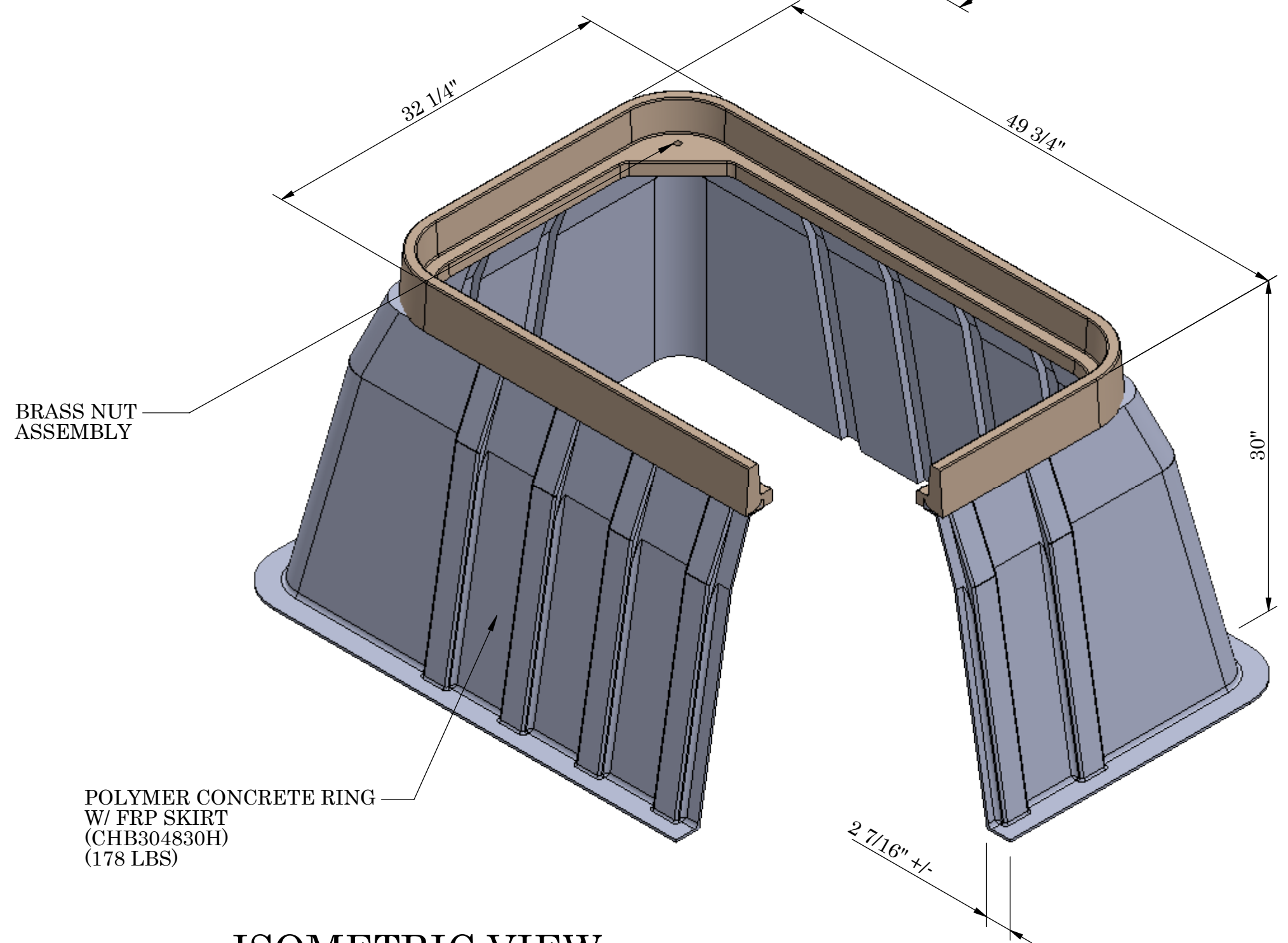
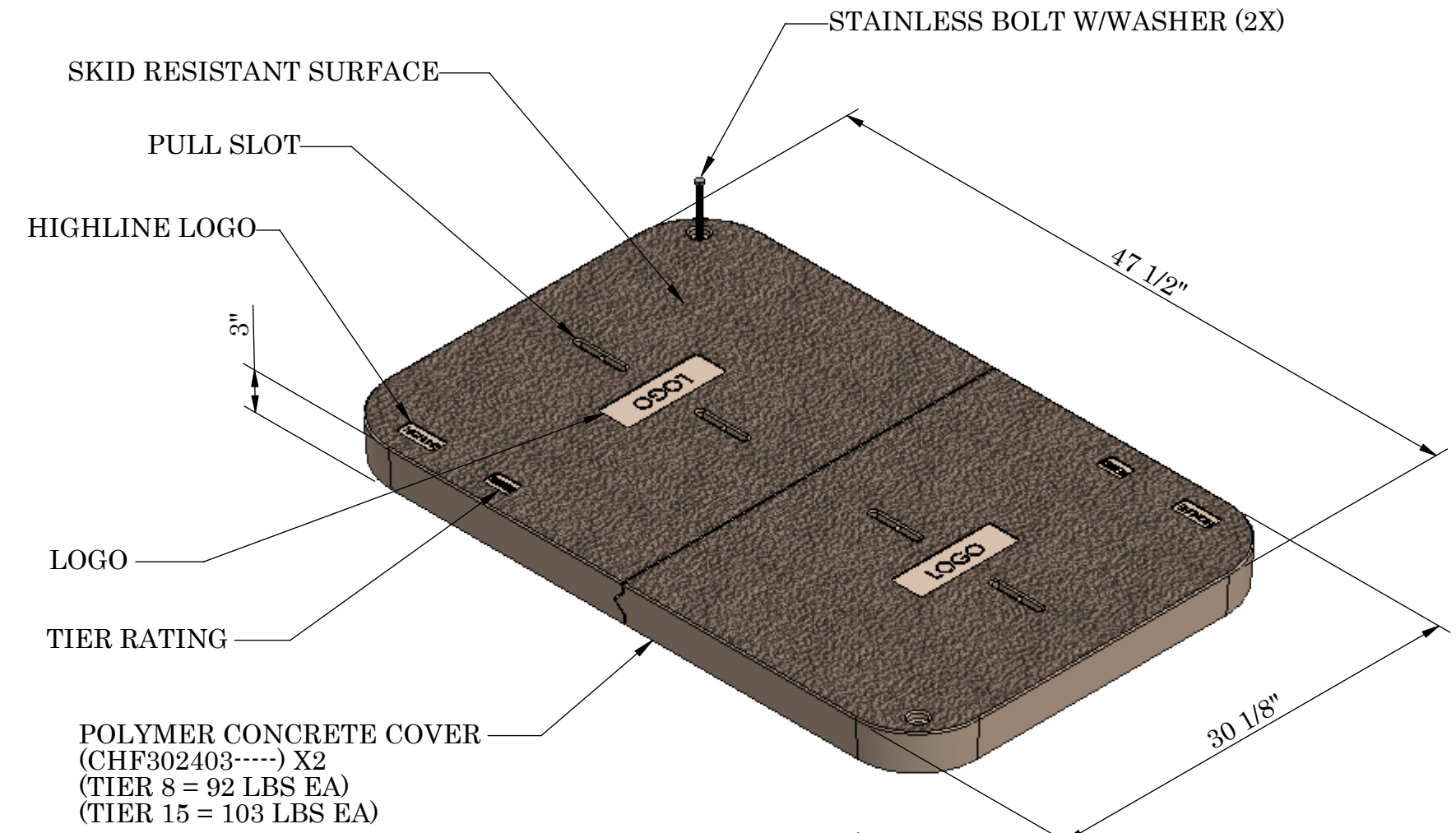
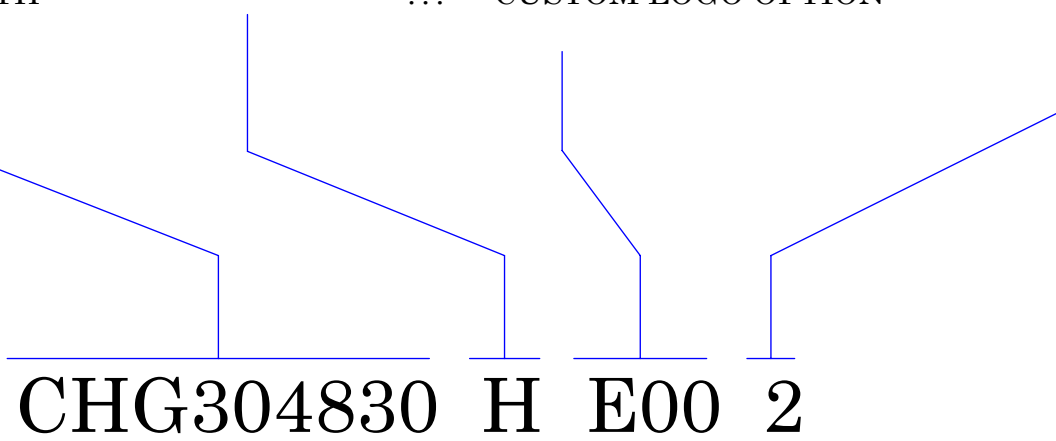


TOP VIEW OF BOX

NOTES :

1. LOGO: COMES IN A VARIETY OF STANDARD LOGOS. IE: "ELECTRIC", "WATER", "COMMUNICATIONS". CUSTOM LOGOS CAN BE PRODUCED. CONTACT CUSTOMER SERVICE FOR MORE LOGO INFORMATION (ORDERS@MACLEANHIGHLINE.COM)
2. FOR KNOCKOUTS, MOUSE HOLES, OR ANY OTHER SPECIAL REQUESTS. PLEASE CONTACT CUSTOMER SERVICE. (ORDERS@MACLEANHIGHLINE.COM)
3. CUSTOM PART NUMBER SHALL BE ASSIGNED FOR CUSTOMER SPECIFIC REQUIREMENTS.
4. ALL WEIGHTS ARE APPROXIMATE.
5. PRODUCT ASSEMBLY LABELING LISTED BELOW:

| SIZE | TIER RATING | LOGO | HARDWARE |
|-----------|--------------------------|---|--|
| CHG304830 | S= TIER 8 H = TIER 15 | B00 = BLANK FLAT TOP E00 = ELECTRIC M00 = COMMUNICATIONS 300 = 2"x8"x1/4" DEEP BLANK ??? = CUSTOM LOGO OPTION | 1 = 3/8" PENTA BOLT 2 = 3/8" HEX BOLT |



ISOMETRIC VIEW

This drawing contains confidential information that is the property of MacLean Power, L.L.C. ("MacLean"). Use of MacLean's confidential information without MacLean's express written consent is strictly prohibited and may expose you to legal liability. If you believe that you received this material in error, please destroy it or return it to "MacLean Power, L.L.C., 481 MUNN ROAD SUITE 300, FORT MILL, SC 29715, USA."



| | |
|--|--|
| DRAWING NUMBER: CHG304830----- | DO NOT SCALE DRAWING |
| SHEET NAME: 1 OF 1 | CAD GENERATED DRAWING DO NOT MANUALLY UPDATE DESIGN DATE: 10/10/17 |
| DRAWING DESCRIPTION: TIER 8 (S) 8,000lbs TIER 15 (H) 15,000lbs | DRAWN BY: CB CHECKED: WHO APPROVED: WHO |
| DRAWING SCALE: NTS | REV: A |
| FILE NAME: CHG304830H0002 10-10-17 | REV DATE: 10/10/17 |