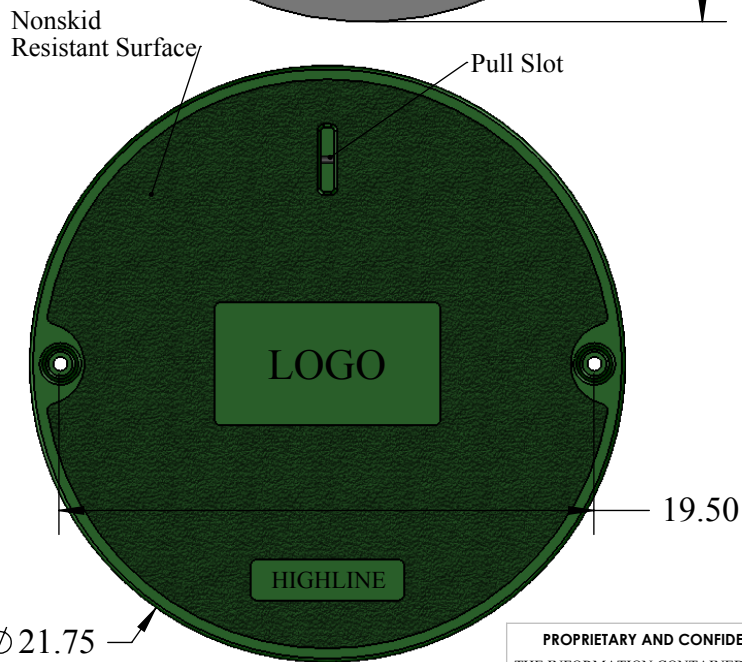
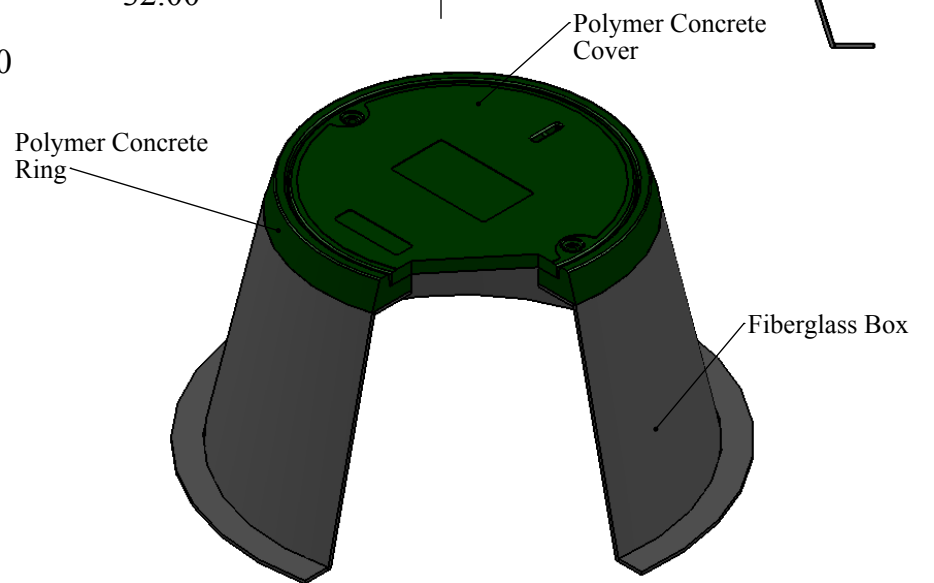
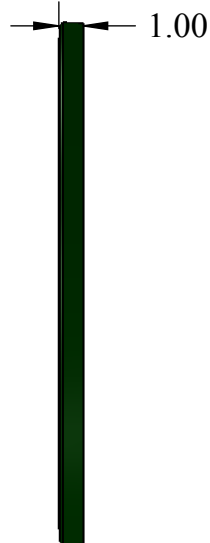
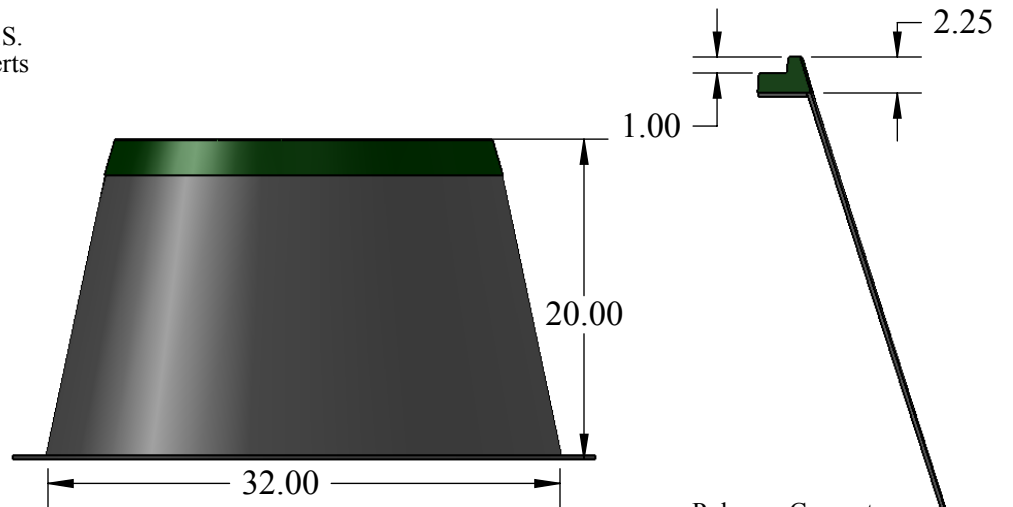
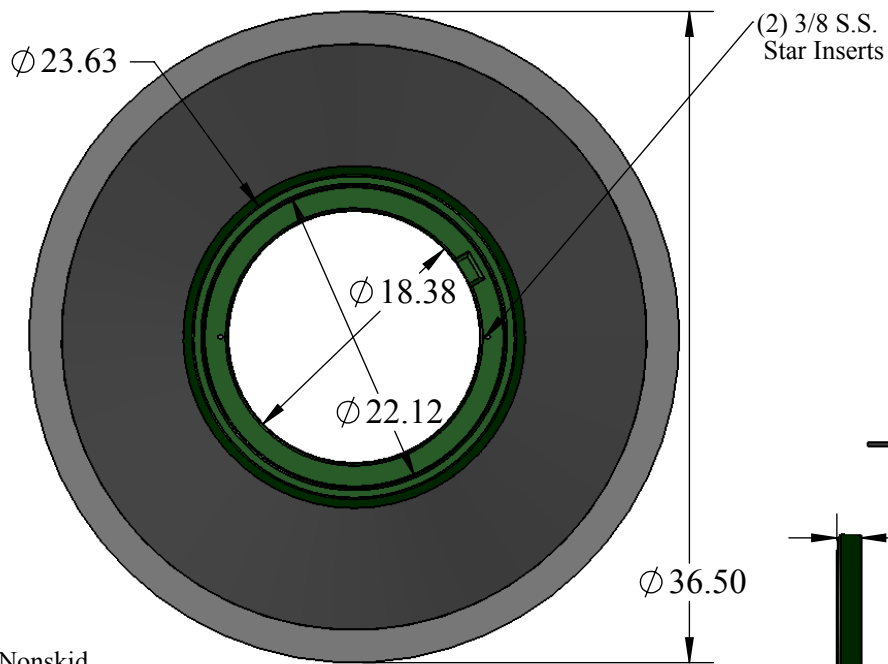


TOP VIEW



UNLESS OTHERWISE SPECIFIED:

DIMENSIONS ARE IN INCHES  
 TOLERANCES: +/- 1/8"  
 FRACTIONAL ±  
 ANGULAR: MACH ± BEND ±  
 TWO PLACE DECIMAL ±  
 THREE PLACE DECIMAL ±

INTERPRET GEOMETRIC TOLERANCING PER:

MATERIAL:  
 Polymer Concrete/ Fiberglass  
 FINISH

DO NOT SCALE DRAWING

NAME DATE

DRAWN/ENG. SK 08.16.09

CHECKED

HIGHLINE APPR.

MFG APPR.

Q.A.

COMMENTS:

BOX WEIGHT = 39 lbs.

COVER WEIGHT = 27 lbs.

**HIGHLINE**  
PRODUCTS

Composite Round Assembly  
Model CRA2220OLT2-GRG

SIZE DWG. NO.

**A** CRA2220OLT2-GRG

REV

**A**

SCALE: NTS

SHEET 1 OF 1