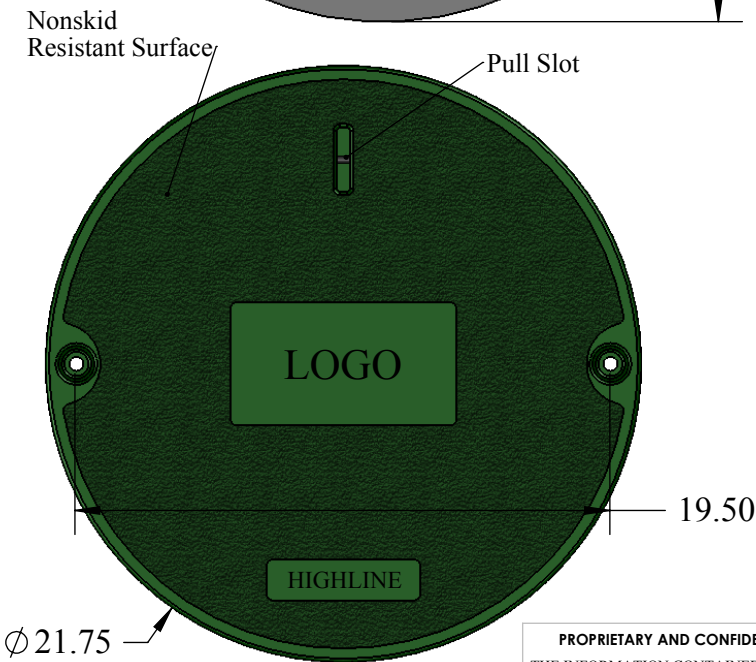
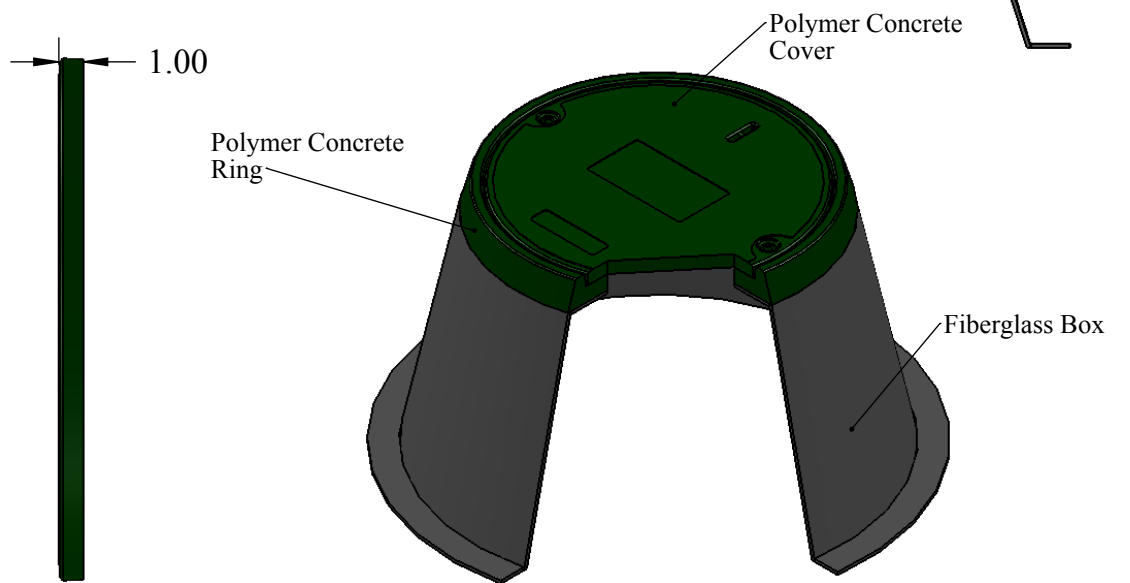
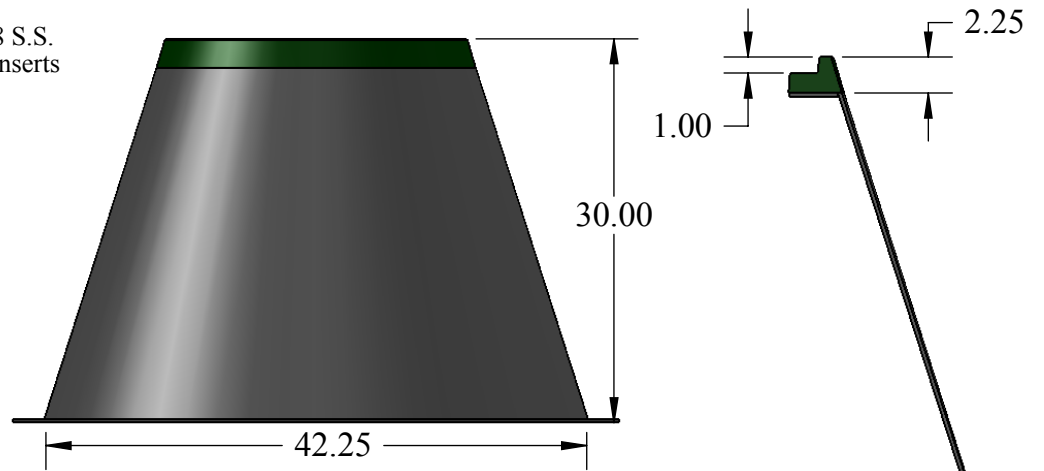
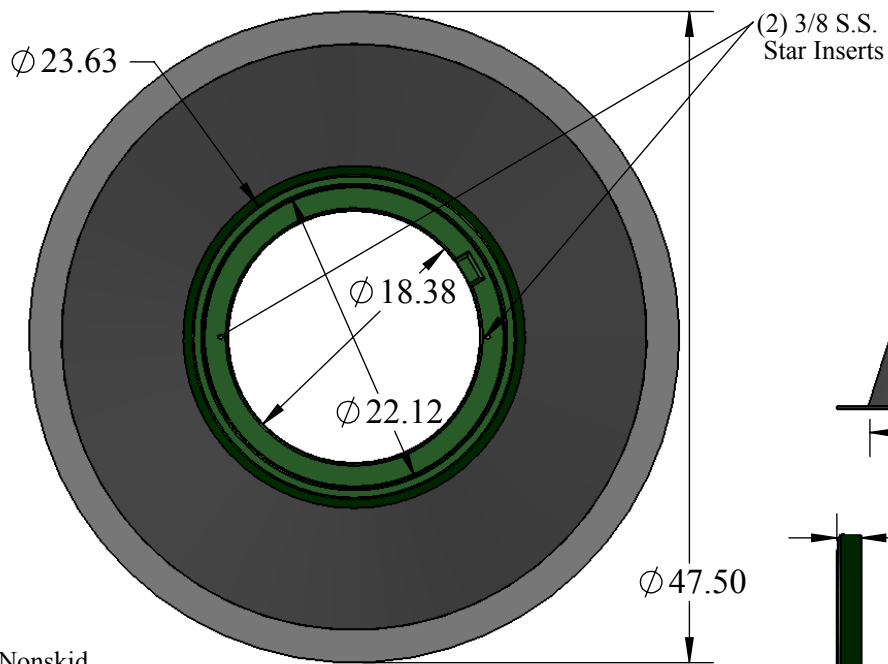


TOP VIEW



UNLESS OTHERWISE SPECIFIED:	NAME	DATE
DIMENSIONS ARE IN INCHES TOLERANCES: +/- 1/8" FRACTIONAL ± ANGULAR: MACH ± BEND ± TWO PLACE DECIMAL ± THREE PLACE DECIMAL ±	DRAWN/ENG. SK	08.16.09
	CHECKED	
	HIGHLINE APPR.	
	MFG APPR.	
	Q.A.	
INTERPRET GEOMETRIC TOLERANCING PER:	COMMENTS:	
MATERIAL: Polymer Concrete/ Fiberglass	BOX WEIGHT = 57 lbs.	
FINISH	COVER WEIGHT = 27 lbs.	
DO NOT SCALE DRAWING		

PROPRIETARY AND CONFIDENTIAL
THE INFORMATION CONTAINED IN THIS DRAWING IS THE SOLE PROPERTY OF HIGHLINE PRODUCTS. ANY REPRODUCTION IN PART OR AS A WHOLE WITHOUT THE WRITTEN PERMISSION OF HIGHLINE PRODUCTS IS PROHIBITED.



Composite Round Assembly
Model CRA2230OLT2-GRG

SIZE	DWG. NO.	REV
A	CRA2230OLT2-GRG	A
SCALE: NTS	SHEET 1 OF 1	