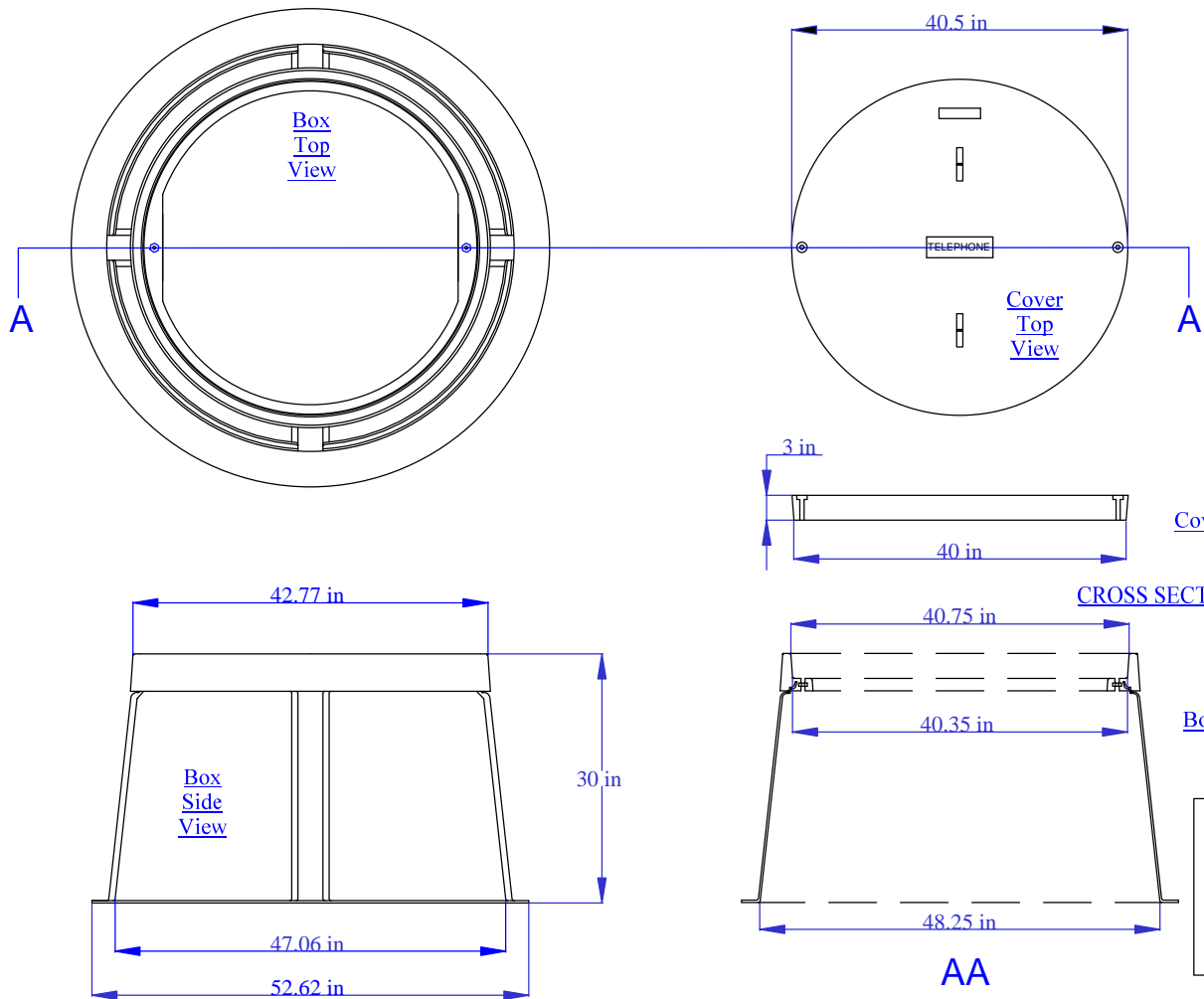


Date: 1/6/2010 (re)  
 Part #: CRA3930HT1

TELEPHONE UNDERGROUND BOX  
 43" Round PC Ring x 30" Tall,  
 FRP / PC Combo Box.  
 40 1/2" Round x 3" Thickness, PC Cover.



**COVER FEATURES:**

1. 2 Bolt-down locations
2. Slip Resistant finish
3. 20,800 Wheel Load on 10" x 10" Plate
4. Lift Wire Slots (x2) 3/4"x4"
5. Center Identification Logo

**ASSEMBLY FEATURES:**

1. 3/8" Penta Head Stainless Steel Cover Fasteners
2. Stainless Steel Box Fasteners

**OPTIONS:**

1. EMS Sensor Within Cover
2. Covers With Captive Bolt Feature
3. Coiling Brackets
4. Cable Racking

**BOX FEATURES:**

1. Polymer Concrete Ring
2. Fiberglass Body
3. Side Wall Strength Ribs

**PROPRIETARY AND CONFIDENTIAL**  
 THE INFORMATION CONTAINED IN THIS DRAWING IS THE SOLE PROPERTY OF HIGHLINE PRODUCTS. ANY REPRODUCTION IN PART OR AS A WHOLE WITHOUT THE WRITTEN PERMISSION OF HIGHLINE PRODUCTS IS PROHIBITED.

www.highlineproducts.com

**HIGHLINE**  
**PRODUCTS**