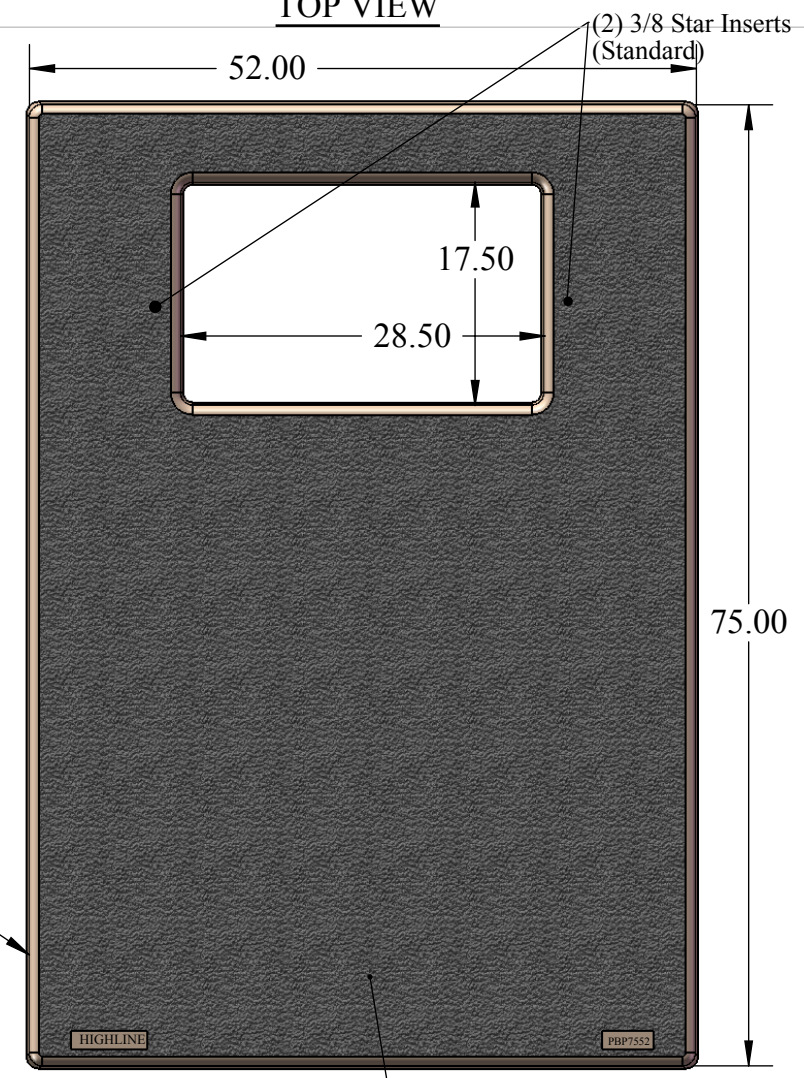
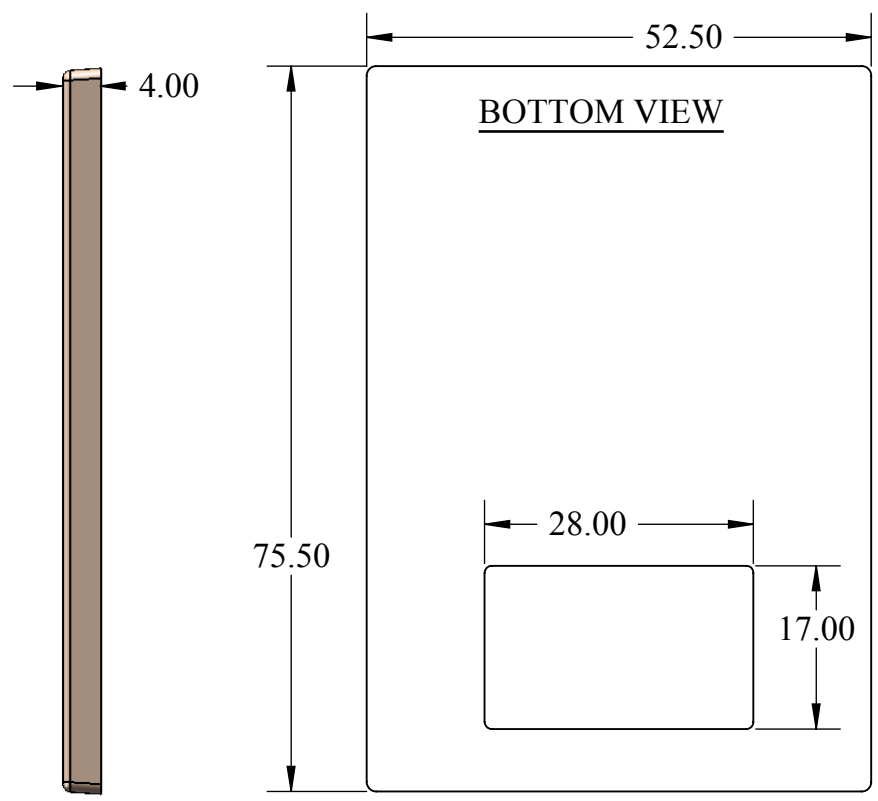


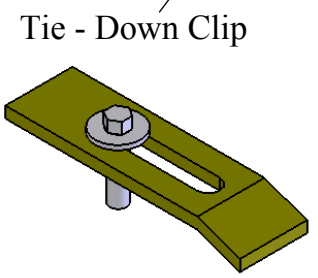
**TOP VIEW**



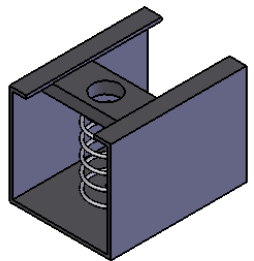
Fiberglass Reinforced Polymer Concrete

Nonskid Resistant Surface

**OPTIONS**



Unistrut w/ Spring Nut In Place of Insert



**PROPRIETARY AND CONFIDENTIAL**  
 THE INFORMATION CONTAINED IN THIS DRAWING IS THE SOLE PROPERTY OF HIGHLINE PRODUCTS. ANY REPRODUCTION IN PART OR AS A WHOLE WITHOUT THE WRITTEN PERMISSION OF HIGHLINE PRODUCTS IS PROHIBITED.

UNLESS OTHERWISE SPECIFIED:	NAME	DATE
DIMENSIONS ARE IN INCHES TOLERANCES: +/- 1/8"	SK	07.29.09
FRACTIONAL ±	CHECKED	
ANGULAR: MACH ± BEND ±	HIGHLINE APPR.	
TWO PLACE DECIMAL ±	MFG APPR.	
THREE PLACE DECIMAL ±	Q.A.	
INTERPRET GEOMETRIC TOLERANCING PER:	COMMENTS:	
MATERIAL: Polymer Concrete	UNITS PER PALLET= # 2	
FINISH		
DO NOT SCALE DRAWING		



**Polymer Flat Pad  
 Model PBP755204-1728**

SIZE	DWG. NO.	REV
<b>A</b>	PBP755204-1728	<b>A</b>
SCALE: NTS	SHEET 1 OF 1	