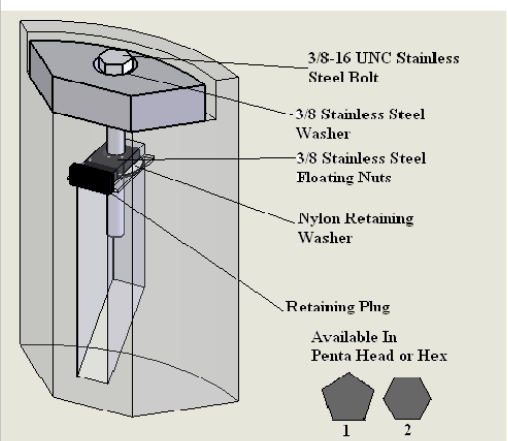


LOAD RATING LOGO



PROPRIETARY AND CONFIDENTIAL
 THE INFORMATION CONTAINED IN THIS DRAWING IS THE SOLE PROPERTY OF HIGHLINE PRODUCTS. ANY REPRODUCTION IN PART OR AS A WHOLE WITHOUT THE WRITTEN PERMISSION OF HIGHLINE PRODUCTS IS PROHIBITED.

UNLESS OTHERWISE SPECIFIED:		NAME	DATE
DIMENSIONS ARE IN INCHES TOLERANCES: +/- 1/8" FRACTIONAL ± ANGULAR: MACH ± BEND ± TWO PLACE DECIMAL ± THREE PLACE DECIMAL ±		SK	07.10.09
DRAWN/ ENG.			
CHECKED			
HIGHLINE APPR.			
MFG APPR.			
Q.A.			
COMMENTS:			
BOX WEIGHT= 57 lbs.			
COVER WEIGHT= 45 lbs.			
UNITS PER PALLET= # 25			
DO NOT SCALE DRAWING			



Stackable Polymer Handhole Assembly
 Model PHA132412
 Tier8 (S)-12,000lbs., Tier15 (H)-22,500 lbs.
 Tier22 (X) 33,800 lbs.

SIZE	DWG. NO.	REV
A	PHA132412	A
SCALE: NTS		SHEET 1 OF 1