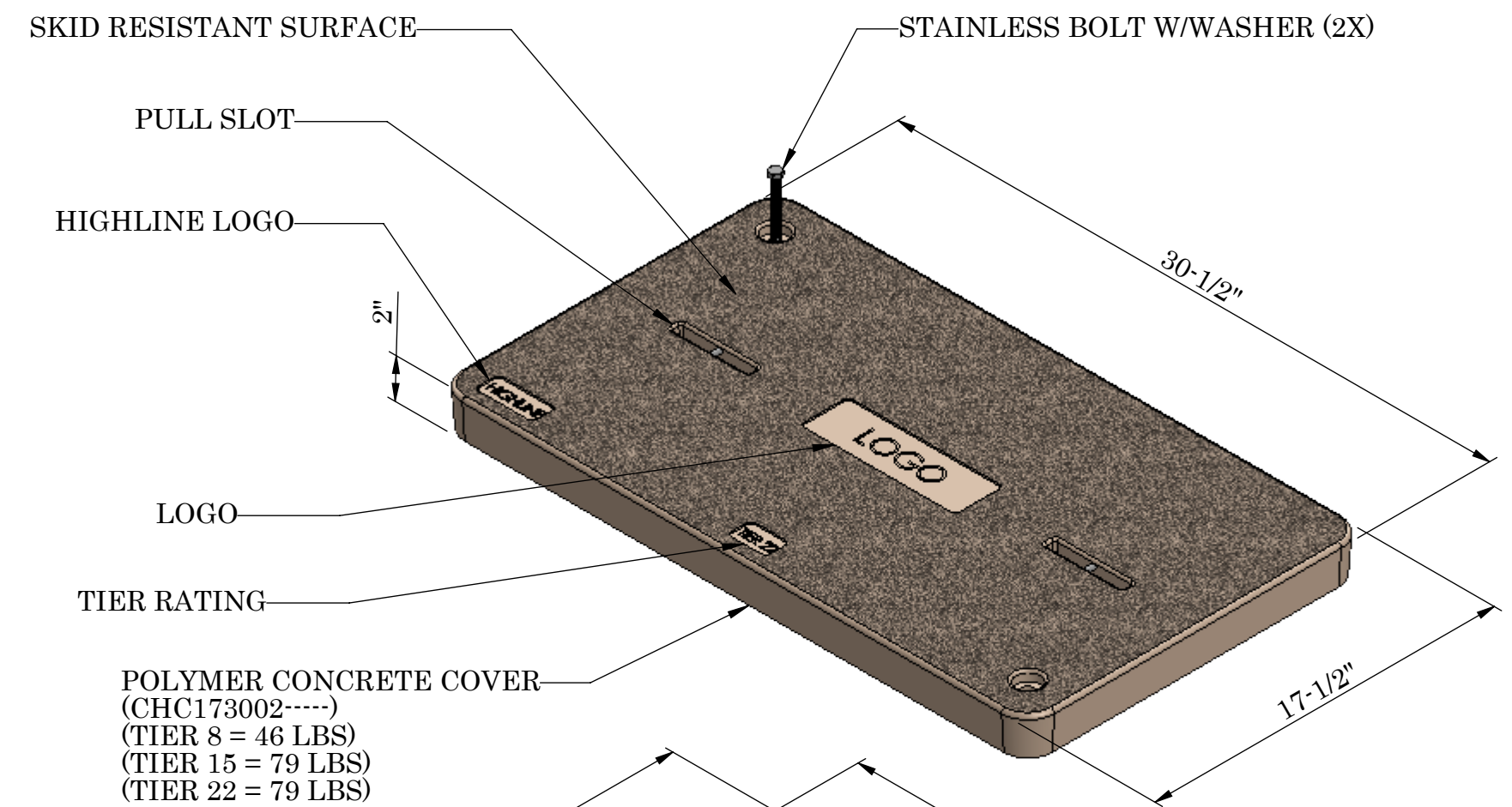
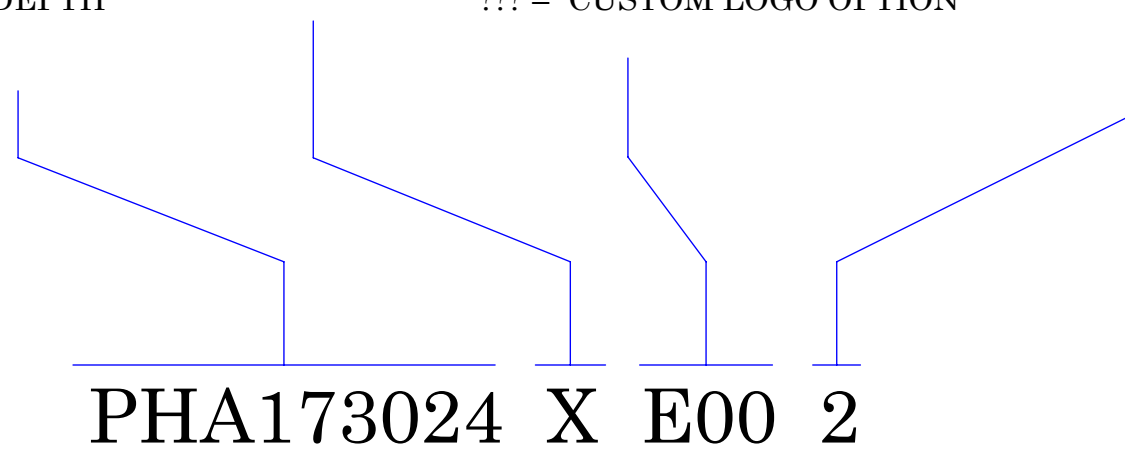


TOP VIEW OF BOX

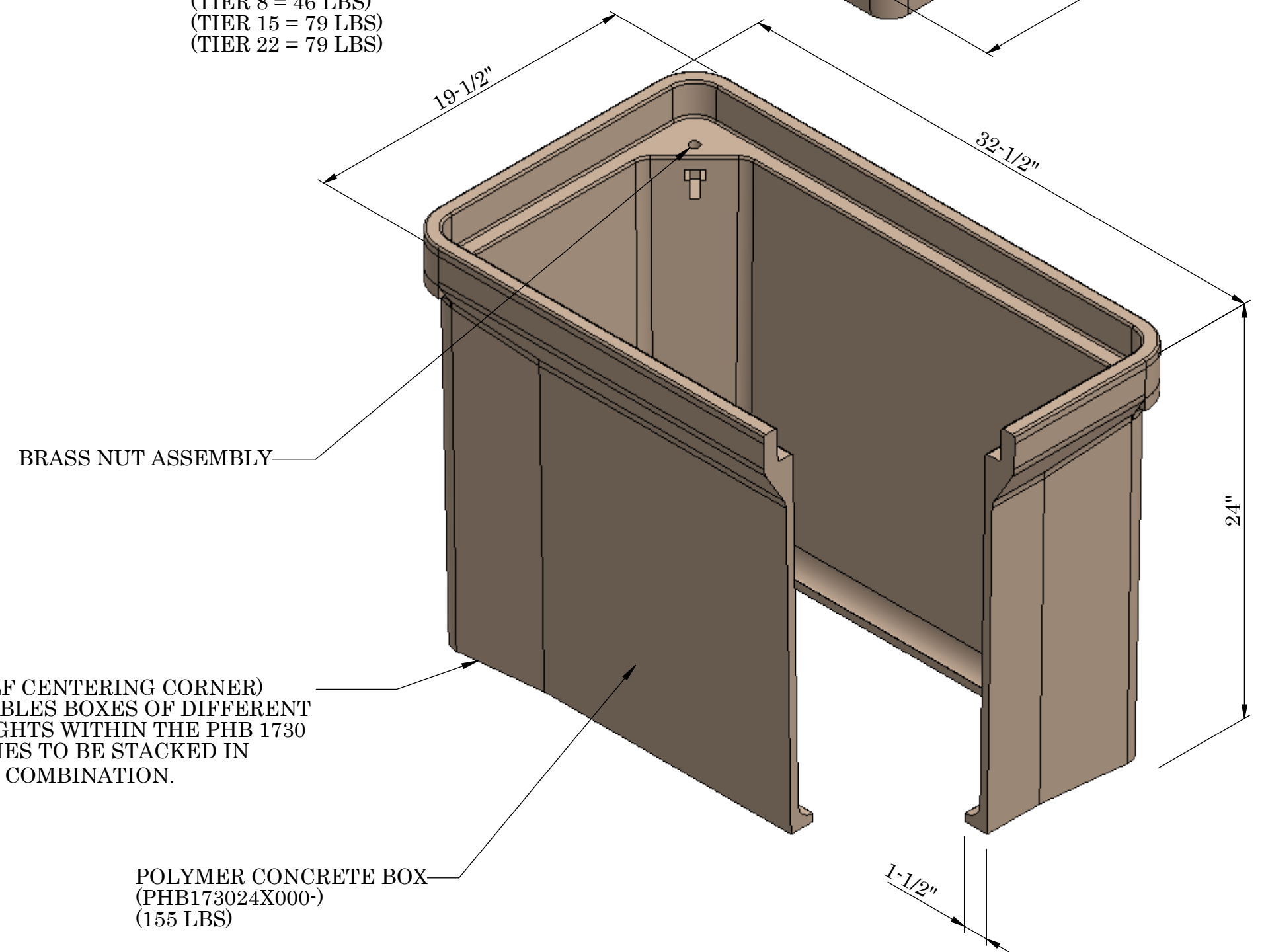
NOTES :

1. LOGO: COMES IN A VARIETY OF STANDARD LOGOS. IE: "ELECTRIC", "WATER", "COMMUNICATIONS". CUSTOM LOGOS CAN BE PRODUCED. CONTACT CUSTOMER SERVICE FOR MORE LOGO INFORMATION (ORDERS@MACLEANHIGHLINE.COM)
2. FOR KNOCKOUTS, MOUSE HOLES, OR ANY OTHER SPECIAL REQUESTS. PLEASE CONTACT CUSTOMER SERVICE. (ORDERS@MACLEANHIGHLINE.COM)
3. CUSTOM PART NUMBER SHALL BE ASSIGNED FOR CUSTOMER SPECIFIC REQUIREMENTS.
4. ALL WEIGHTS ARE APPROXIMATE.
5. PRODUCT ASSEMBLY LABELING LISTED BELOW:

SIZE	TIER RATING	LOGO	HARDWARE
PHA173024	S= TIER 8 H = TIER 15 X = TIER 22	B00 = BLANK FLAT TOP E00 = ELECTRIC M00 = COMMUNICATIONS 300 = 2"x8"x1/4" DEEP BLANK ??? = CUSTOM LOGO OPTION	1 = 3/8" PENTA BOLT 2 = 3/8" HEX BOLT
17" WIDTH x 30" LENGTH x 24" DEPTH			



POLYMER CONCRETE COVER
(CHC173002-----)
(TIER 8 = 46 LBS)
(TIER 15 = 79 LBS)
(TIER 22 = 79 LBS)



ISOMETRIC VIEW

This drawing contains confidential information that is the property of MacLean Power, L.L.C. ("MacLean"). Use of MacLean's confidential information without MacLean's express written consent is strictly prohibited and may expose you to legal liability. If you believe that you received this material in error, please destroy it or return it to "MacLean Power, L.L.C., 481 MUNN ROAD SUITE 300, FORT MILL, SC 29715, USA."

2300 HIGHWAY 11 NORTH, SWEETWATER, TN. 37874
TEL. (803) 628-4380

DRAWING NUMBER: PHA173024-----		DO NOT SCALE DRAWING	
SHEET NAME: 1 OF 1		CAD GENERATED DRAWING DO NOT MANUALLY UPDATE	
DRAWING DESCRIPTION: TIER 8 (S) 8,000lbs TIER 15 (H) 15,000lbs TIER 22 (X) 22,500lbs		DESIGN DATE: 10/6/17	
DRAWING SCALE: NTS		DRAWN BY:	CB
FILE NAME: PHA173024X0002 REV-B 8-10-17		CHECKED:	WHO
		APPROVED:	WHO
		REV:	A
		REV DATE:	10/6/17