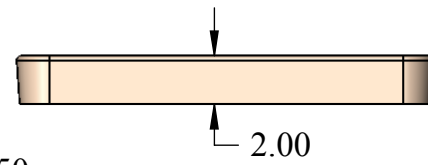
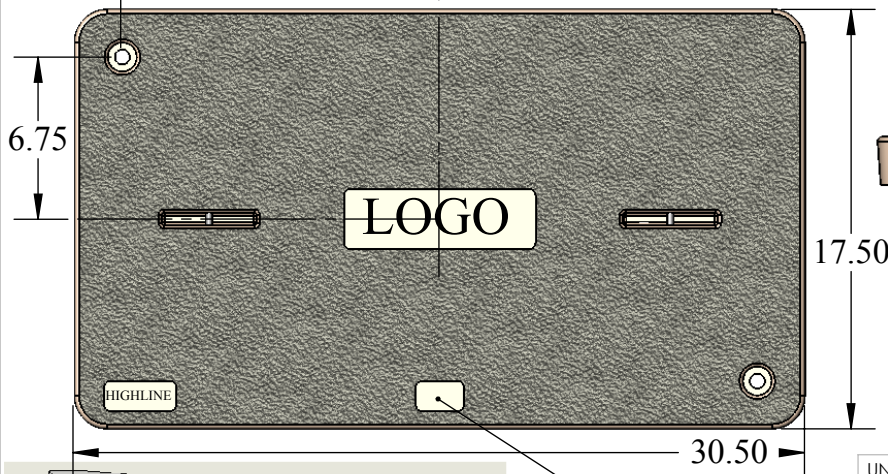
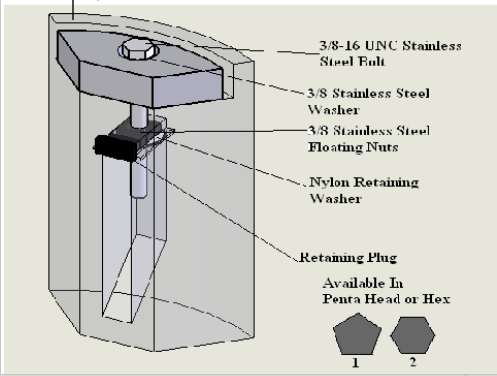
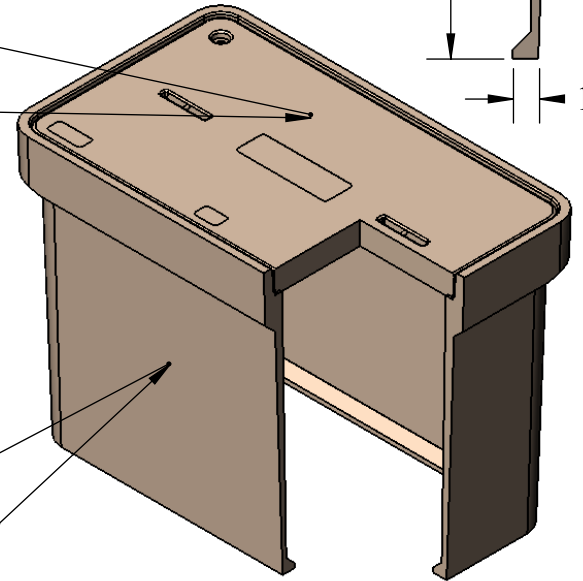


Polymer Concrete Cover
Cover Only: CHC1730XXX



Polymer Concrete Box
Box Only: PHB173024



PROPRIETARY AND CONFIDENTIAL
THE INFORMATION CONTAINED IN THIS DRAWING IS THE SOLE PROPERTY OF HIGHLINE PRODUCTS. ANY REPRODUCTION IN PART OR AS A WHOLE WITHOUT THE WRITTEN PERMISSION OF HIGHLINE PRODUCTS IS PROHIBITED.

UNLESS OTHERWISE SPECIFIED:
DIMENSIONS ARE IN INCHES
TOLERANCES: +/- 1/8"
FRACTIONAL ±
ANGULAR: MACH ± BEND ±
TWO PLACE DECIMAL ±
THREE PLACE DECIMAL ±

INTERPRET GEOMETRIC TOLERANCING PER:
MATERIAL: **Polymer Concrete**
FINISH

DO NOT SCALE DRAWING

	NAME	DATE
DRAWN/ ENG.	SK	07.02.09
CHECKED		
Highline Appr.		
MFG APPR.		
Q.A.		
COMMENTS:	BOX WEIGHT= 125 lbs.	
	COVER WEIGHT= 70 lbs.	
	UNITS PER PALLET= # 12	



Polymer Handhole Assembly
Model PHA173024
Tier8 (S) 12,000lbs, Tier15 (H) 22,500 lbs.
Tier22 (X) 33,800 lbs.

SIZE	DWG. NO.	REV
A	PHA173024	A
SCALE: NTS	SHEET 1 OF 1	