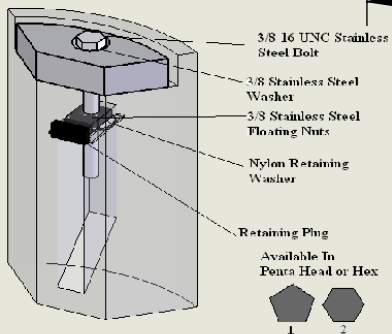


Cover Only: CHC2436XXX

Box Only: PHB243618



LOAD RATING LOGO

PROPRIETARY AND CONFIDENTIAL
 THE INFORMATION CONTAINED IN THIS DRAWING IS THE SOLE PROPERTY OF HIGHLINE PRODUCTS. ANY REPRODUCTION IN PART OR AS A WHOLE WITHOUT THE WRITTEN PERMISSION OF HIGHLINE PRODUCTS IS PROHIBITED.

UNLESS OTHERWISE SPECIFIED:

DIMENSIONS ARE IN INCHES
 TOLERANCES: +/- 1/8"
 FRACTIONAL ±
 ANGULAR: MACH ± BEND ±
 TWO PLACE DECIMAL ±
 THREE PLACE DECIMAL ±

INTERPRET GEOMETRIC TOLERANCING PER:
 MATERIAL: **Polymer Concrete**
 FINISH

DO NOT SCALE DRAWING

NAME DATE

DRAWN/ ENG. SK 07.02.09

CHECKED
 HIGHLINE APPR.
 MFG APPR.

Q.A.

COMMENTS:

BOX WEIGHT= 154 lbs.

COVER WEIGHT= 110 lbs.

UNITS PER PALLET= # 3

HIGHLINE PRODUCTS

Polymer Handhole Assembly
 Model PHA243618
 Tier8 (S) 12,000 lbs., Tier15 (H) 22,500 lbs.
 Tier22 (X) 33,800 lbs.

SIZE DWG. NO. REV
A PHA243618 **A**

SCALE: NTS SHEET 1 OF 1