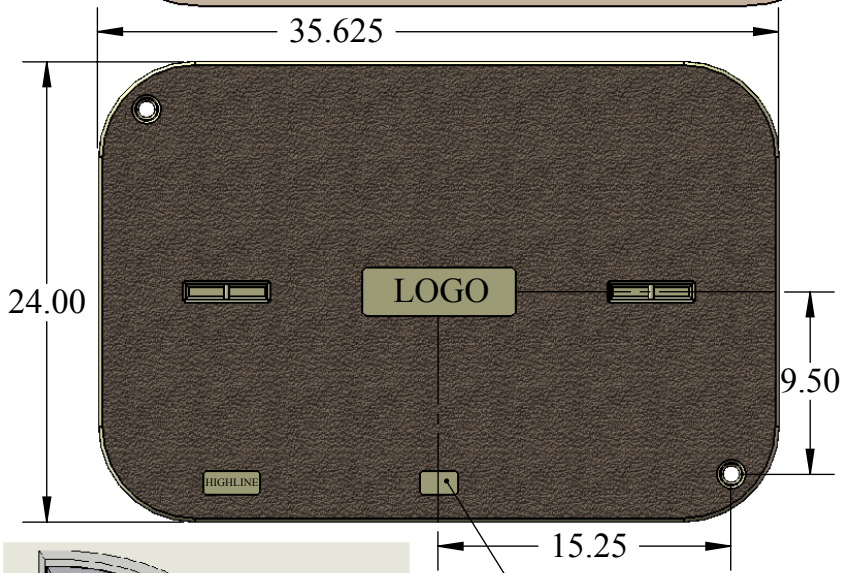
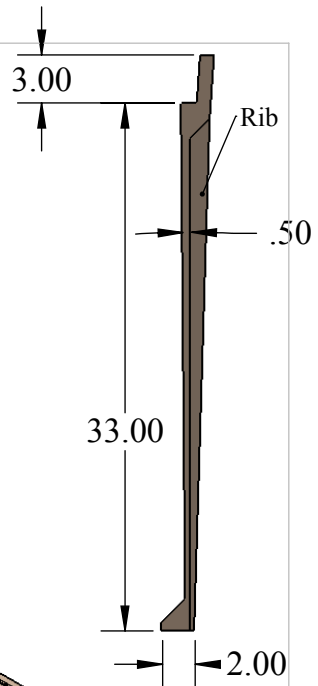
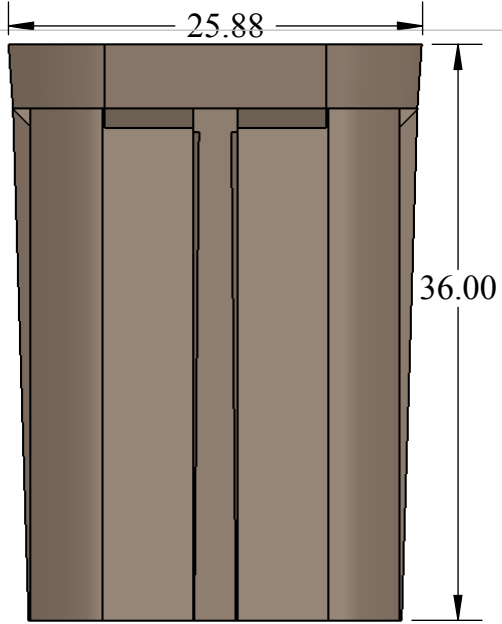
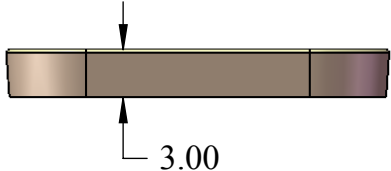


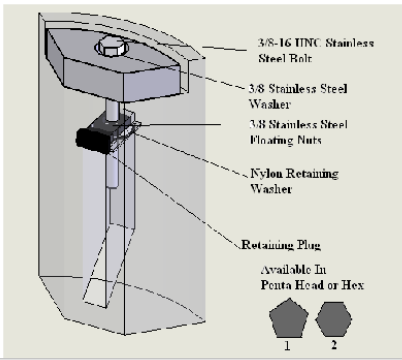
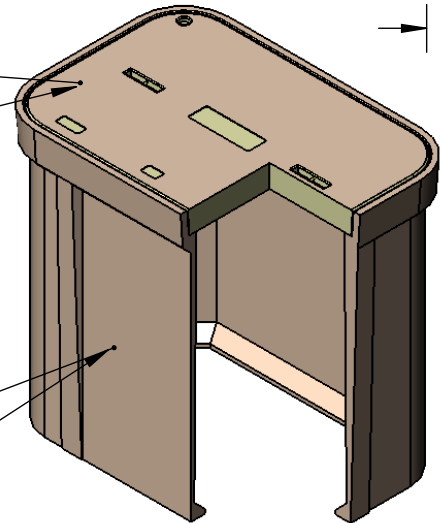
24.125



Polymer Concrete Cover  
Cover Only: CHC2436XXX



Polymer Concrete Box  
Box Only: PHB243636



**PROPRIETARY AND CONFIDENTIAL**  
THE INFORMATION CONTAINED IN THIS DRAWING IS THE SOLE PROPERTY OF HIGHLINE PRODUCTS. ANY REPRODUCTION IN PART OR AS A WHOLE WITHOUT THE WRITTEN PERMISSION OF HIGHLINE PRODUCTS IS PROHIBITED.

UNLESS OTHERWISE SPECIFIED:		NAME	DATE
DIMENSIONS ARE IN INCHES TOLERANCES: +/- 1/8" FRACTIONAL ± ANGULAR: MACH ± BEND ± TWO PLACE DECIMAL ± THREE PLACE DECIMAL ±		DRAWN/ ENG. SK	11.04.09
INTERPRET GEOMETRIC TOLERANCING PER:		CHECKED TP	11.04.09
MATERIAL: Polymer Concrete		HIGHLINE APPR.	
FINISH		MFG APPR.	
DO NOT SCALE DRAWING		Q.A.	
		COMMENTS:	
		BOX WEIGHT = 271 lbs.	
		COVER WEIGHT = 110 lbs.	
		UNITS PER PALLET # 2	



Polymer Handhole Assembly  
Model PHA243636  
Tier8 (S) 12,000 lbs., Tier 15 (H) 22,500 lbs.  
Tier 22 (X) 33,800 lbs.

SIZE	DWG. NO.	REV
<b>A</b>	PHA243636	<b>A</b>
SCALE: NTS		SHEET 1 OF 1

5

4

3

2

1