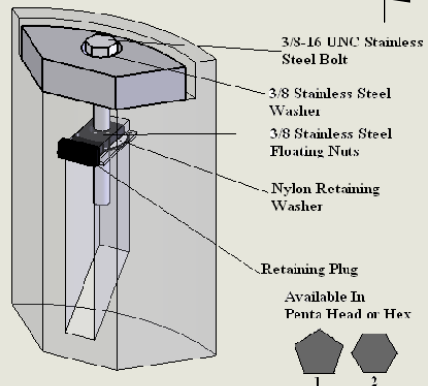
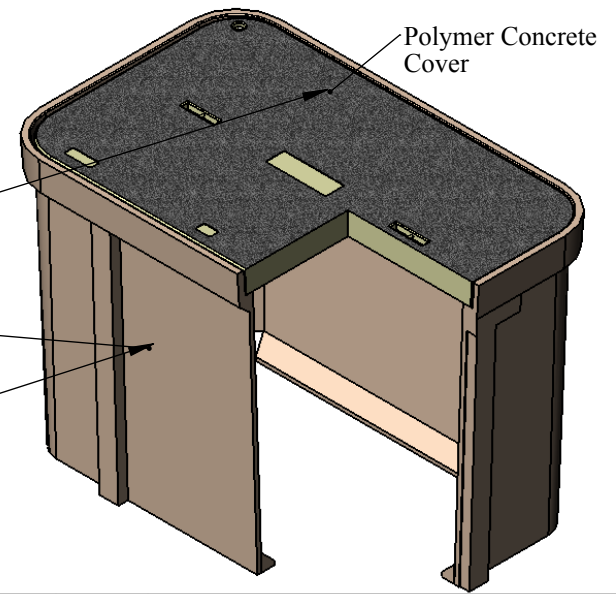


Cover Only
CHC3048XXX
(Available in 1 pc.
or 2 pc. cover)

Polymer Concrete
Box
Box Only: PHB304836



LOAD RATING
LOGO

PROPRIETARY AND CONFIDENTIAL
THE INFORMATION CONTAINED IN THIS
DRAWING IS THE SOLE PROPERTY OF
HIGHLINE PRODUCTS. ANY
REPRODUCTION IN PART OR AS A WHOLE
WITHOUT THE WRITTEN PERMISSION OF
HIGHLINE PRODUCTS IS
PROHIBITED.

UNLESS OTHERWISE SPECIFIED:

DIMENSIONS ARE IN INCHES
TOLERANCES: +/- 1/8"
FRACTIONAL ±
ANGULAR: MACH ± BEND ±
TWO PLACE DECIMAL ±
THREE PLACE DECIMAL ±

INTERPRET GEOMETRIC
TOLERANCING PER:
MATERIAL:
Polymer Concrete
FINISH

DO NOT SCALE DRAWING

	NAME	DATE
DRAWN/ENG.	SK	04.28.10
CHECKED	TP	04.28.10
USUE APPR.	BK	04.28.10
MFG APPR.		
Q.A.		
COMMENTS:	BOX WEIGHT= 318 lbs.	
	COVER WEIGHT= 241 lbs.	
	UNITS PER PALLET= # 1	

HIGHLINE
PRODUCTS

Polymer Handhole Assembly
Model PHA304830
Tier8 (S) 12,000 lbs. , Tier15 (H) 22,500 lbs.
Tier22 (X) 33,800 lbs.

SIZE	DWG. NO.	REV
A	PHA304830	A
SCALE: NTS		SHEET 1 OF 1