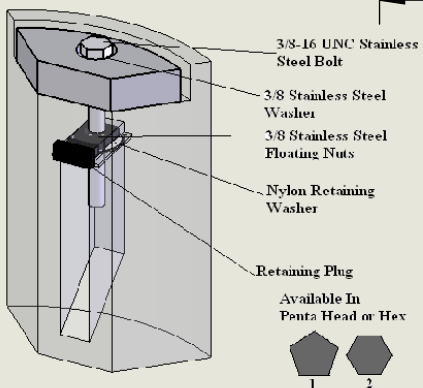
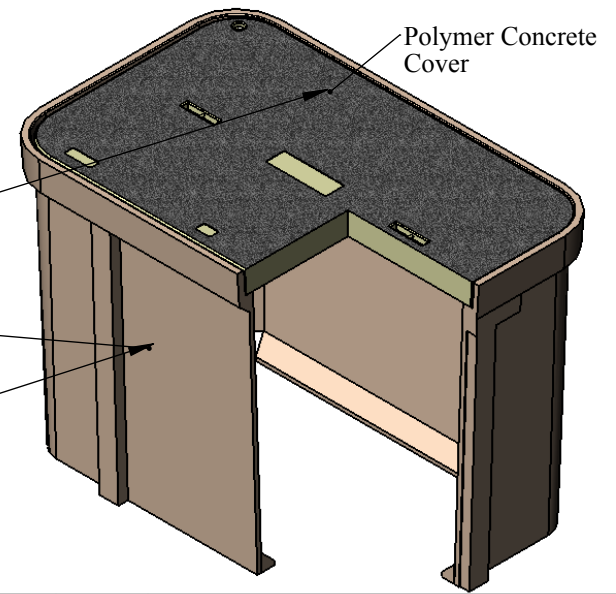


Cover Only
CHC3048XXX
(Available in 1 pc.
or 2 pc. cover)

Polymer Concrete
Box

Box Only: PHB304836



LOAD RATING
LOGO

PROPRIETARY AND CONFIDENTIAL
THE INFORMATION CONTAINED IN THIS DRAWING IS THE SOLE PROPERTY OF HIGHLINE PRODUCTS. ANY REPRODUCTION IN PART OR AS A WHOLE WITHOUT THE WRITTEN PERMISSION OF HIGHLINE PRODUCTS IS PROHIBITED.

UNLESS OTHERWISE SPECIFIED:

DIMENSIONS ARE IN INCHES
TOLERANCES: +/- 1/4"
FRACTIONAL ±
ANGULAR: MACH ± BEND ±
TWO PLACE DECIMAL ±
THREE PLACE DECIMAL ±

INTERPRET GEOMETRIC TOLERANCING PER:

MATERIAL:
Polymer Concrete

FINISH

DO NOT SCALE DRAWING

	NAME	DATE
DRAWN/ENG.	SK	01.05.10
CHECKED	TP	02.26.10
USUE Appr.	BK	02.26.10
MFG APPR.		

COMMENTS:
BOX WEIGHT= 374 lbs.
COVER WEIGHT= 241 lbs.
UNITS PER PALLET= # 1

HIGHLINE
PRODUCTS

Polymer Handhole Assembly
Model PHA304836
Tier8 (S) 12,000 lbs. , Tier15 (H) 22,500 lbs.
Tier22 (X) 33,800 lbs.

SIZE	DWG. NO.	REV
A	PHA304836	A
SCALE: NTS		SHEET 1 OF 1