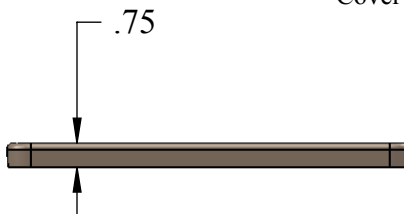
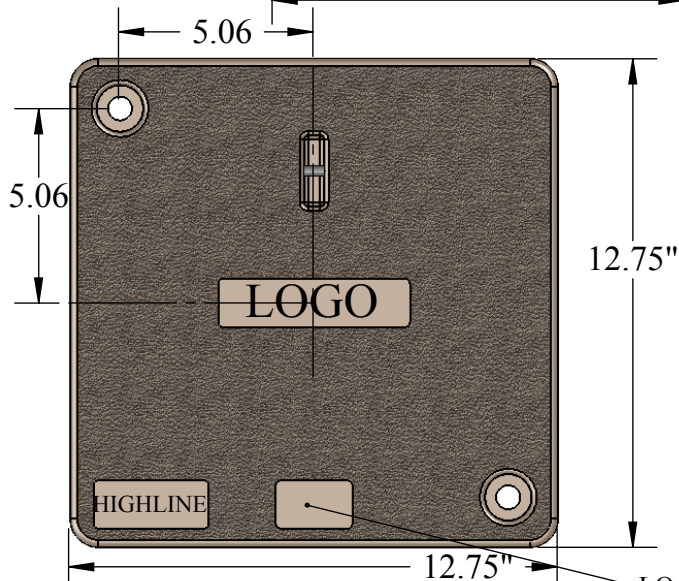
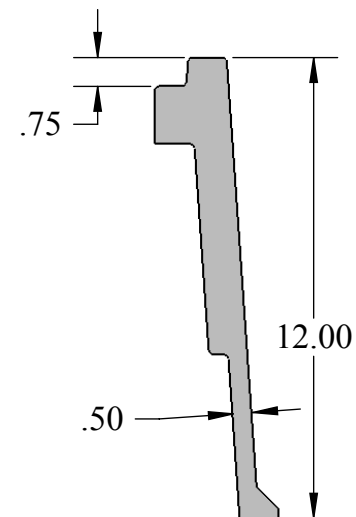
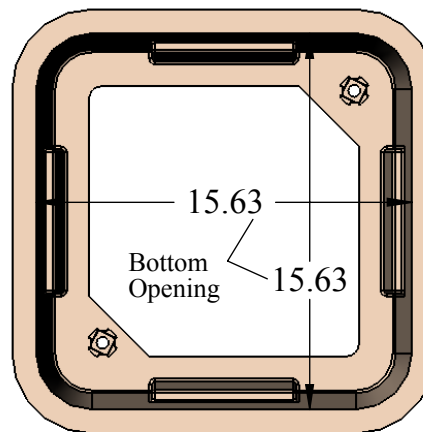


BOTTOM VIEW

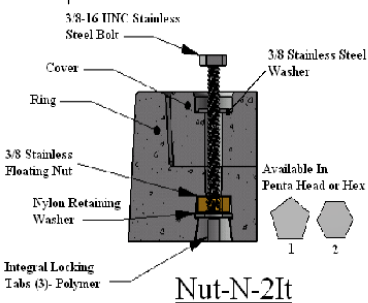
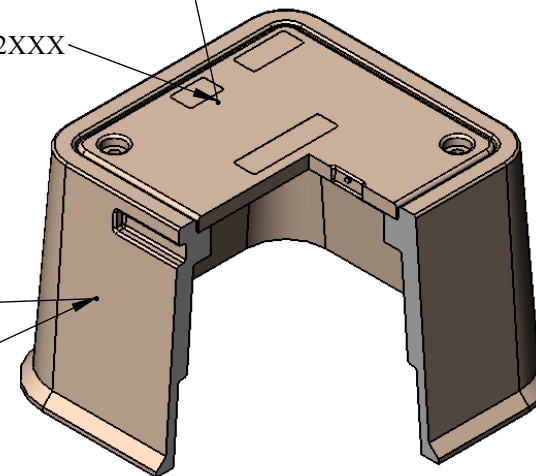


Polymer Concrete Cover

Cover Only: CHC1212XXX

Polymer Concrete Box

Box Only: PTB121212



LOAD RATING LOGO

**PROPRIETARY AND CONFIDENTIAL**  
 THE INFORMATION CONTAINED IN THIS DRAWING IS THE SOLE PROPERTY OF HIGHLINE PRODUCTS. ANY REPRODUCTION IN PART OR AS A WHOLE WITHOUT THE WRITTEN PERMISSION OF HIGHLINE PRODUCTS IS PROHIBITED.

UNLESS OTHERWISE SPECIFIED:

DIMENSIONS ARE IN INCHES  
 TOLERANCES: +/- 1/8"  
 FRACTIONAL ±  
 ANGULAR: MACH ± BEND ±  
 TWO PLACE DECIMAL ±  
 THREE PLACE DECIMAL ±

INTERPRET GEOMETRIC TOLERANCING PER:  
 MATERIAL: Polymer Concrete  
 FINISH

DO NOT SCALE DRAWING

NAME DATE

DRAWN/ENG. SK 07.15.09

CHECKED

HIGHLINE APPR.

MFG APPR.

Q.A.

COMMENTS:

BOX WEIGHT= 37 lbs.

COVER WEIGHT= 10 lbs.

UNITS PER PALLET= # 20



All Polymer Pull Box ( Tapered )  
 Model PTA 121212  
 Tier8 (S) 12,000 lbs. , Tier15 (H) 22,500 lbs.  
 Tier22 (X) 33,800 lbs.

SIZE	DWG. NO.	REV
<b>A</b>	PTA121212	<b>A</b>

SCALE: NTS SHEET 1 OF 1