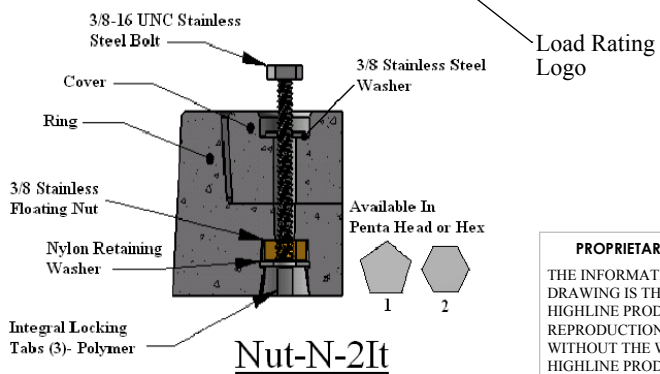
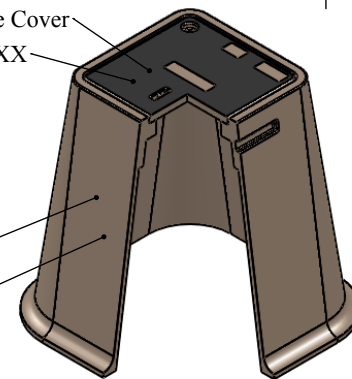


SECTION C-C
SCALE 1 : 8

Polymer Concrete Cover
Cover Only: CHC1015XX

Polymer Concrete Box
Box Only: PTB121224



PROPRIETARY AND CONFIDENTIAL
THE INFORMATION CONTAINED IN THIS DRAWING IS THE SOLE PROPERTY OF HIGHLINE PRODUCTS. ANY REPRODUCTION IN PART OR AS A WHOLE WITHOUT THE WRITTEN PERMISSION OF HIGHLINE PRODUCTS IS PROHIBITED.

UNLESS OTHERWISE SPECIFIED:		NAME	DATE
DIMENSIONS ARE IN INCHES TOLERANCES: $\pm .125$ FRACTIONAL \pm ANGULAR: MACH $\pm 1/2^\circ$ BEND \pm TWO PLACE DECIMAL $\pm .010$ THREE PLACE DECIMAL $\pm .005$		DRAWN	MW 10/4/11
INTERPRET GEOMETRIC TOLERANCING PER:		CHECKED	SK 10/4/11
MATERIAL		ENG APPR.	
Polymer Concrete		MFG APPR.	
FINISH		Q.A.	
DO NOT SCALE DRAWING		BOX WEIGHT = 79 lbs. COVER WEIGHT = 10 lbs. UNITS PER PALLET = 28 #	

HIGHLINE
PRODUCTS

All Polymer Pull Box (Tapered)
Model PTA121224
Tier8 (S) 12,000 lbs., Tier15 (H) 22,500 lbs.
Tier22 (X) 33,800 lbs.

SIZE	DWG. NO.	REV
A	PTA121224	A
SCALE: NTS		SHEET 1 OF 1