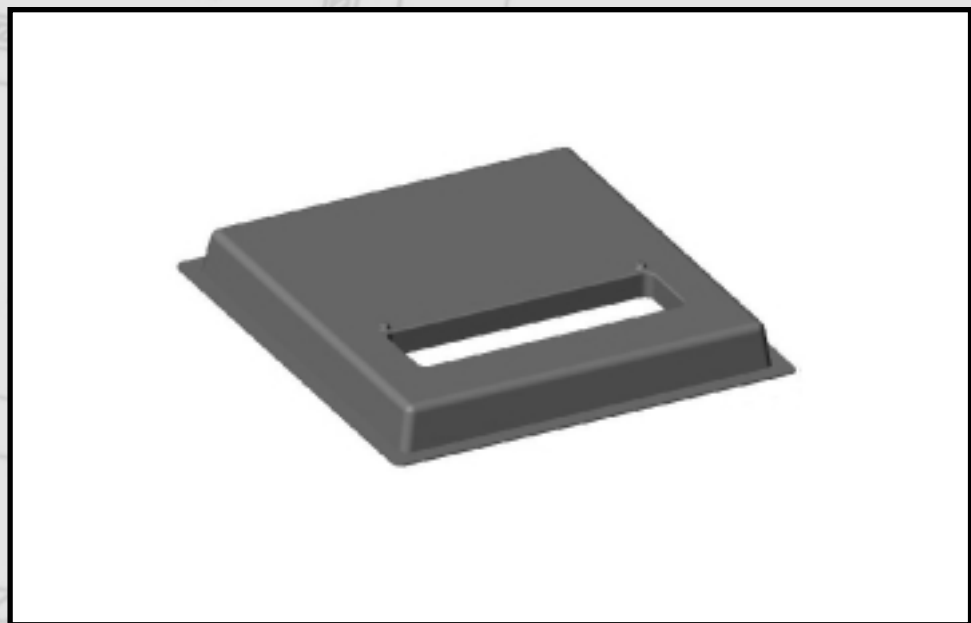


HL-46 Single-Phase Transformer Pad

PRODUCT FEATURES

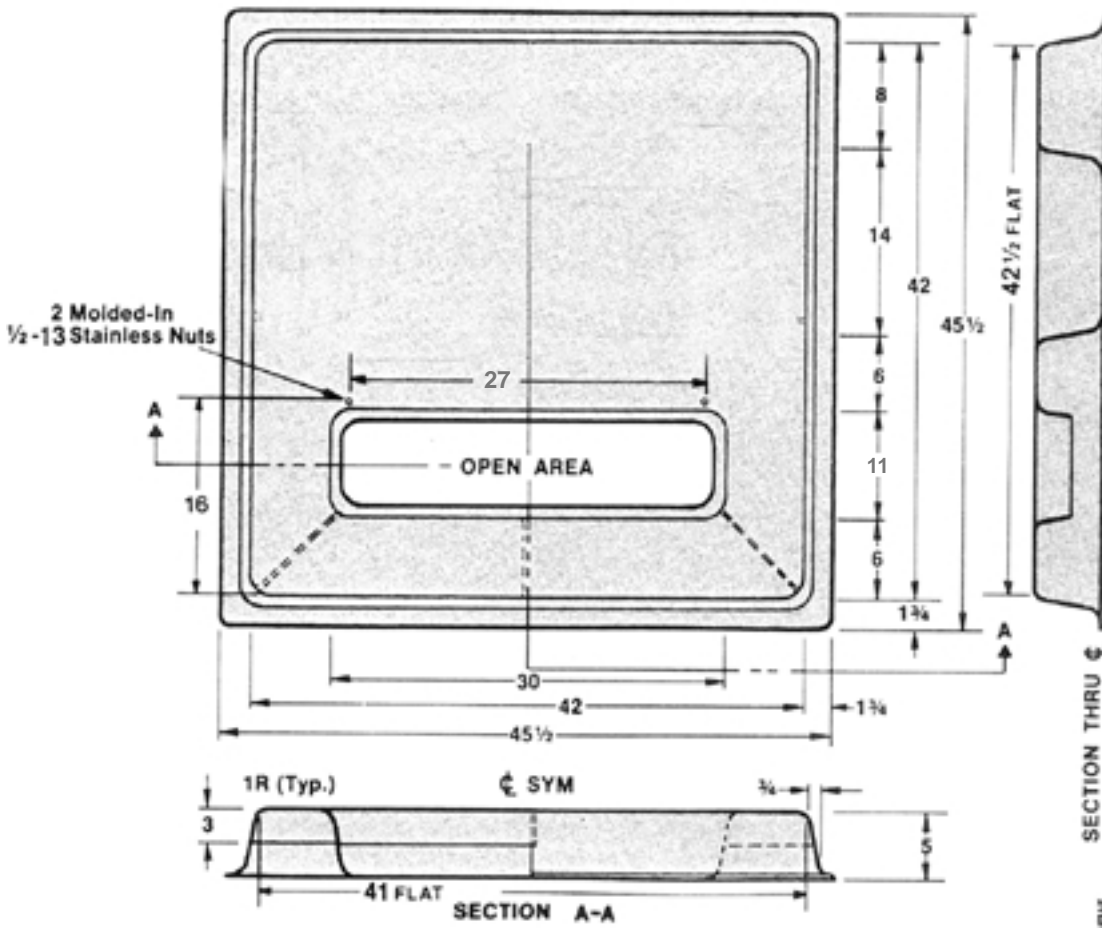
- High strength from compression molding. The fiberglass reinforced polyester laminate provides high tensile and flexural strength exceeding HPDE and concrete.
- Uniform quality. The pads are matched-die molded to ensure consistent wall thickness.
- Proven standard. Tens of thousands installed without a single failure.
- Lightweight. Handled & installed easily by one person.
- Readily available from inventory.



Single-Phase Pad

	A	B	C	
Model Number:	Length	Width	Height	Opening
HL-46	42	42	5	11x27

Dimensions:



Aperture dimensions (inches) are measured at the intersection of projected adjacent planes.