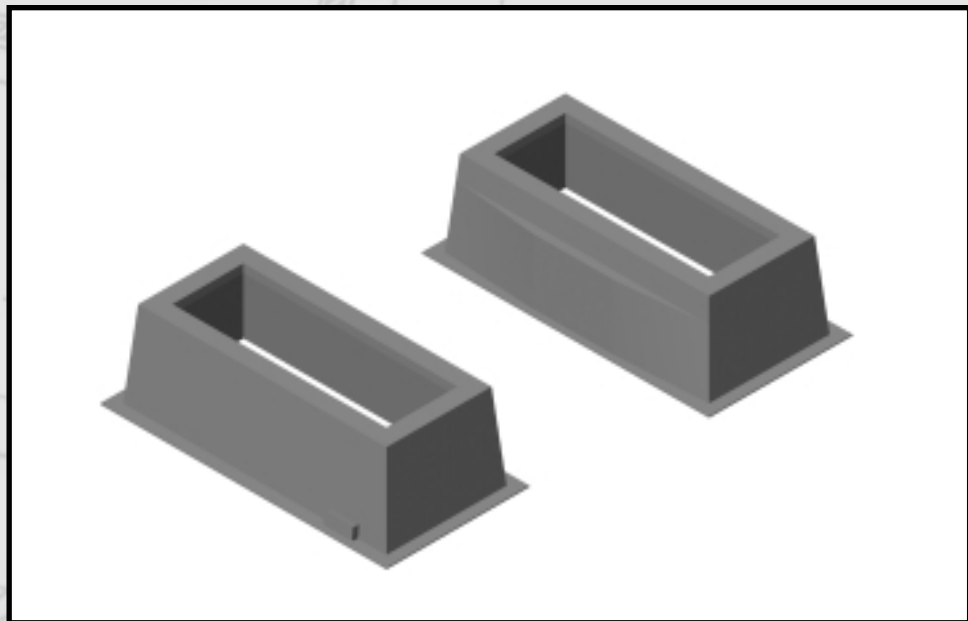
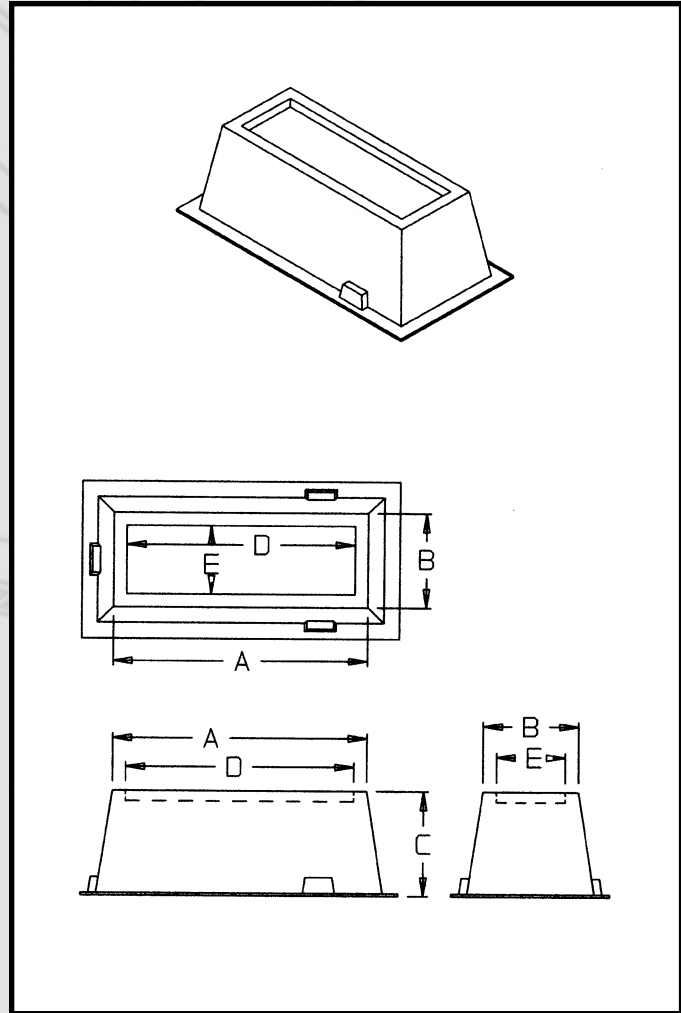


Ground Sleeves

PRODUCT FEATURES

- Step design on larger units built into side-wall around the perimeter provides resistance against deflection in buried position.
- Constructed of fire-retardant materials. Combination of chopped glass spray-up and hand lay-up of woven roving glass reinforcement.
- External ribs are molded into larger units for greater side-wall and vertical strength.
- Heavy-duty reinforced fiberglass construction, stress areas strengthened with nonhydroscopic laminated reinforcing materials.
- Smooth exterior surface for tamper resistance.
- Exterior color: Munsell #7GY3.29/1.5 Green.
- Gel-coated exterior for superior protection against UV radiation and corrosion resistance.



	A	B	C	D x E = TOP
Model Number:	Length	Width	Height	Openings
FGS 18-18-18 AA	18	18	18	11 x 11
FGS 26-18-18 AA	26	18	18	19 x 11
FGS 26-23-18 AA	26	23	18	19 x 16
FGS 30-18-18 AA	30	18	18	23 x 11
FGS 30-18-24 AA	30	18	24	23 x 11
FGS 30-18-30 AA	30	18	30	23 x 11
FGS 30-23-30 AA	30	23	30	23 x 16
FGS 31-18-18 AA	31	18	18	13 x 22
FGS 31-20-18 AA	31	20	18	24 x 13
FGS 32-16-18 AA	32	16	18	25 x 9
FGS 34-25-24 AA	34	25	24	29 x 18
FGS 36-26-18 AA	36	26	18	29 x 19
FGS 37-23-32 AA	37	23	32	30 x 16
FGS 38-60-18 AA	38	60	18	31 x 53
FGS 42-24-18 AA	42	24	18	35 x 17
FGS 48-18-18 AA	48	18	18	41 x 11
FGS 48-23-18 AA	48	23	18	41 x 16
FGS 52-20-18 AA	52	20	18	45 x 13
FGS 60-18-18 AA	60	18	18	53 x 11
FGS 60-18-24 AA	60	18	24	53 x 11
FGS 60-18-30 AA	60	18	30	53 x 11
FGS 60-22-18 AA	60	22	18	53 x 15
FGS 60-22-36 AA	60	22	36	53 x 14
FGS 60-23-18 AA	60	23	18	53 x 16
FGS 60-24-36 AA	60	24	36	53 x 16
FGS 61-15-18 AA	61	15	18	54 x 28
FGS 61-18-18 AA	61	18	18	54 x 11
FGS 63-27-36 AA	63	27	36	56 x 20
FGS 64-18-18 AA	64	18	18	57 x 11
FGS 64-18-24 AA	64	18	24	57 x 11
FGS 65-20-18 AA	65	20	18	58 x 13
FGS 67-18-18 AA	67	18	18	60 x 11
FGS 67-23-18 AA	67	23	18	60 x 16
FGS 67-23-26 AA	67	23	26	60 x 16
FGS 67-23-30 AA	67	23	30	60 x 16
FGS 67-23-32 AA	67	23	32	60 x 16
FGS 67-23-36 AA	67	23	36	60 x 16
FGS 67-30-24 AA	67	30	24	60 x 23
FGS 67-37-30 AA	67	37	30	60 x 30
FGS 69-23-42 AA	69	23	42	62 x 16
FGS 71-25-24 AA	71	25	24	64 x 18
FGS 72-18-24 AA	72	18	24	65 x 11
FGS 72-26-18 AA	72	26	18	65 x 19
FGS 78-24-18 AA	78	24	18	71 x 17
FGS 78-43-24 AA	78	43	24	71 x 36
FGS 82-30-18 AA	82	30	18	75 x 23
FGS 84-22-18 AA	84	22	18	77 x 15
FGS 126-18-24 AA	126	18	24	116 x 10
FGS 126-42-24 AA	126	42	24	119 x 35

Contact Highline for custom sizes.