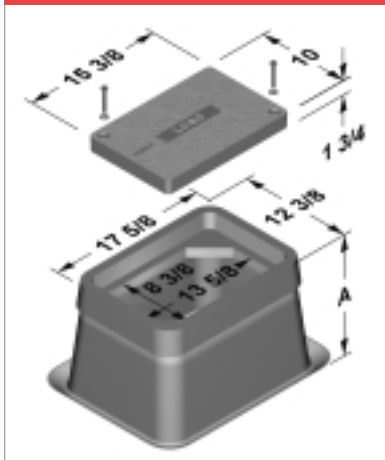


## Fiberglass/Polymer Concrete Flushmount Pull Boxes



10 x 15 x 12

10 x 15 x 18

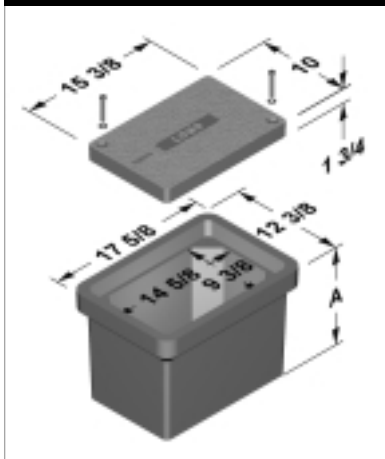
### PRODUCT FEATURES

- Lightweight.
- 10K and 20K load ratings available.
- Loading characteristics conform to the Western Underground Committee recommended guide WUC 3.6.
- Non-conductive.
- Constructed of fire-retardant materials.
- Cable entrances available or are easily cut in field.
- Skid resistant covers.
- Logo as required.
- Penta or hex head bolts.
- Flared design for nestability.
- Can be manufactured in decorative colors.
- Interchangeable covers.
- Available with solid base and gaskets upon request.

Catalog Number	Rating	Depth	Weight	Cover	Box
CHA101512S	10k lbs.	12	43	Polymer Concrete	Fiberglass
CHA101512H	20k lbs.	12	46	Polymer Concrete	Fiberglass
CHA101518S	10k lbs.	18	48	Polymer Concrete	Fiberglass
CHA101518H	20k lbs.	18	51	Polymer Concrete	Fiberglass

See page 16 for available options and ordering.

## Polymer Concrete Flushmount Pull Boxes



10 x 15 x 12

10 x 15 x 18

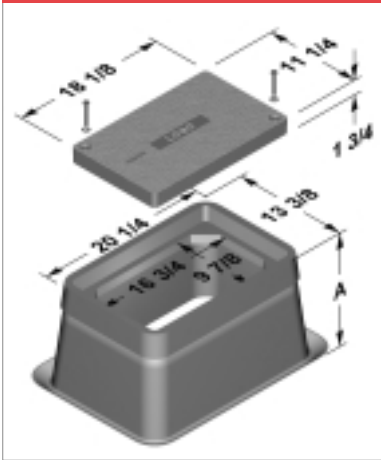
### PRODUCT FEATURES

- 10K and 20K load ratings available.
- Loading characteristics conform to the Western Underground Committee recommended guide WUC 3.6.
- Non-conductive.
- Constructed of fire-retardant materials.
- Skid resistant covers.
- Logo as required.
- Penta or hex head bolts.
- Can be manufactured in decorative colors.
- Interchangeable covers.
- Available with solid base and gaskets upon request.
- Straight wall design for minimal excavation.
- Stackable.

Catalog Number	Rating	Depth	Weight	Cover	Box
PHA101512S	10k lbs.	12	40	Polymer Concrete	Polymer Concrete
PHA101512H	20k lbs.	12	41	Polymer Concrete	Polymer Concrete
PHA101518S	10k lbs.	18	49	Polymer Concrete	Polymer Concrete
PHA101518H	20k lbs.	18	50	Polymer Concrete	Polymer Concrete

See page 16 for available options and ordering.

## Fiberglass/Polymer Concrete Flushmount Pull Boxes



11 x 18 x 12

11 x 18 x 18

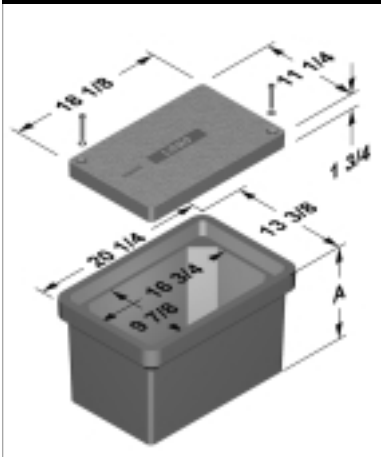
### PRODUCT FEATURES

- Lightweight.
- 10K and 20K load ratings available.
- Loading characteristics conform to the Western Underground Committee recommended guide WUC 3.6.
- Non-conductive.
- Constructed of fire-retardant materials.
- Cable entrances available or are easily cut in field.
- Skid resistant covers.
- Logo as required.
- Penta or hex head bolts.
- Flared design for nestability.
- Can be manufactured in decorative colors.
- Interchangeable covers.
- Available with solid base and gaskets upon request.

Catalog Number	Rating	Depth	Weight	Cover	Box
CHA111812S	10k lbs.	12	48	Polymer Concrete	Fiberglass
CHA111812H	20k lbs.	12	53	Polymer Concrete	Fiberglass
CHA111818S	10k lbs.	18	55	Polymer Concrete	Fiberglass
CHA111818H	20k lbs.	18	60	Polymer Concrete	Fiberglass

See page 16 for available options and ordering.

## Polymer Concrete Flushmount Pull Boxes



11 x 18 x 12

11 x 18 x 18

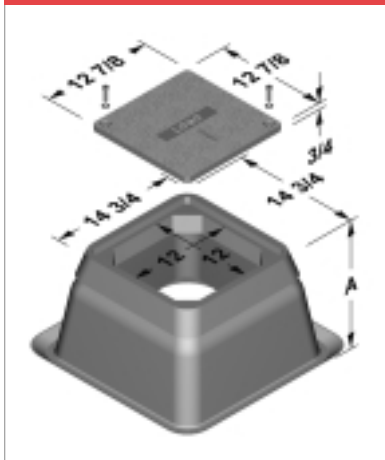
### PRODUCT FEATURES

- 10K and 20K load ratings available.
- Loading characteristics conform to the Western Underground Committee recommended guide WUC 3.6.
- Non-conductive.
- Constructed of fire-retardant materials.
- Skid resistant covers.
- Logo as required.
- Penta or hex head bolts.
- Can be manufactured in decorative colors.
- Interchangeable covers.
- Available with solid base and gaskets upon request.
- Straight wall design for minimal excavation.
- Stackable.

Catalog Number	Rating	Depth	Weight	Cover	Box
PHA111812S	10k lbs.	12	64	Polymer Concrete	Polymer Concrete
PHA111812H	20k lbs.	12	67	Polymer Concrete	Polymer Concrete
PHA111818S	10k lbs.	18	70	Polymer Concrete	Polymer Concrete
PHA111818H	20k lbs.	18	73	Polymer Concrete	Polymer Concrete

See page 16 for available options and ordering.

## Fiberglass/Polymer Concrete Flushmount Pull Boxes



12 x 12 x 12

12 x 12 x 18

12 x 12 x 24

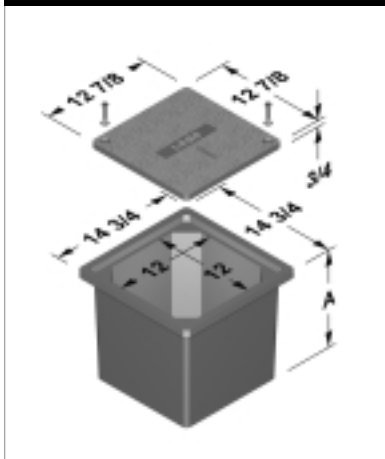
### PRODUCT FEATURES

- Lightweight.
- 10K and 20K load ratings available.
- Loading characteristics conform to the Western Underground Committee recommended guide WUC 3.6.
- Non-conductive.
- Constructed of fire-retardant materials.
- Cable entrances available or are easily cut in field.
- Skid resistant covers.
- Logo as required.
- Penta or hex head bolts.
- Flared design for nestability.
- Can be manufactured in decorative colors.
- Interchangeable covers.
- Available with solid base and gaskets upon request.

Catalog Number	Rating	Depth	Weight	Cover	Box
CHA121212S	10k lbs.	12	36	Polymer Concrete	Fiberglass
CHA121212H	20k lbs.	12	39	Polymer Concrete	Fiberglass
CHA121218S	10k lbs.	18	43	Polymer Concrete	Fiberglass
CHA121218H	20k lbs.	18	47	Polymer Concrete	Fiberglass
CHA121224S	10k lbs.	24	50	Polymer Concrete	Fiberglass
CHA121224H	20k lbs.	24	54	Polymer Concrete	Fiberglass

See page 16 for available options and ordering.

## Polymer Concrete Flushmount Pull Boxes



12 x 12 x 12

12 x 12 x 18

12 x 12 x 24

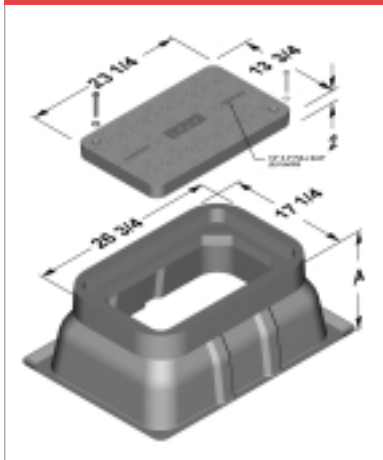
### PRODUCT FEATURES

- 10K and 20K load ratings available.
- Loading characteristics conform to the Western Underground Committee recommended guide WUC 3.6.
- Non-conductive.
- Constructed of fire-retardant materials.
- Skid resistant covers.
- Logo as required.
- Penta or hex head bolts.
- Can be manufactured in decorative colors.
- Interchangeable covers.
- Available with solid base and gaskets upon request.
- Straight wall design for minimal excavation.
- Stackable.

Catalog Number	Rating	Depth	Weight	Cover	Box
PHA121212S	10k lbs.	12	43	Polymer Concrete	Polymer Concrete
PHA121212H	20k lbs.	12	44	Polymer Concrete	Polymer Concrete
PHA121218S	10k lbs.	18	55	Polymer Concrete	Polymer Concrete
PHA121218H	20k lbs.	18	56	Polymer Concrete	Polymer Concrete
PHA121224S	10k lbs.	24	77	Polymer Concrete	Polymer Concrete
PHA121224H	20k lbs.	24	78	Polymer Concrete	Polymer Concrete

See page 16 for available options and ordering.

## Fiberglass/Polymer Concrete Flushmount Pull Boxes



13 x 24 x 12

13 x 24 x 15

13 x 24 x 18

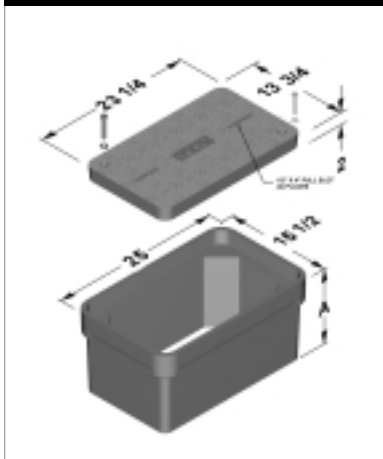
### PRODUCT FEATURES

- Lightweight.
- 10K and 20K load ratings available.
- Loading characteristics conform to the Western Underground Committee recommended guide WUC 3.6.
- Non-conductive.
- Constructed of fire-retardant materials.
- Cable entrances available or are easily cut in field.
- Skid resistant covers.
- Logo as required.
- Penta or hex head bolts.
- Flared design for nestability.
- Can be manufactured in decorative colors.
- Interchangeable covers.
- Available with solid base and gaskets upon request.

Catalog Number	Rating	Depth	Weight	Cover	Box
CHA132412S	10k lbs.	12	69	Polymer Concrete	Fiberglass
CHA132412H	20k lbs.	12	93	Polymer Concrete	Fiberglass
CHA132415S	10k lbs.	15	72	Polymer Concrete	Fiberglass
CHA132415H	20k lbs.	15	96	Polymer Concrete	Fiberglass
CHA132418S	10k lbs.	18	75	Polymer Concrete	Fiberglass
CHA132418H	20k lbs.	18	99	Polymer Concrete	Fiberglass

See page 16 for available options and ordering.

## Polymer Concrete Flushmount Pull Boxes



13 x 24 x 12

13 x 24 x 15

13 x 24 x 18

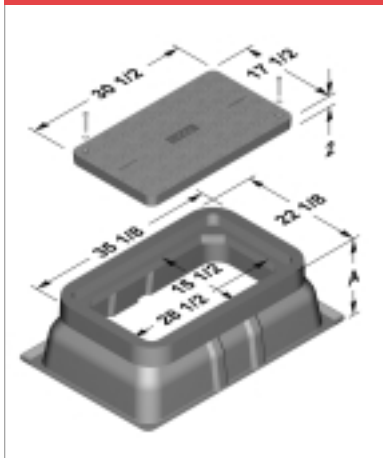
### PRODUCT FEATURES

- 10K and 20K load ratings available.
- Loading characteristics conform to the Western Underground Committee recommended guide WUC 3.6.
- Non-conductive.
- Constructed of fire-retardant materials.
- Skid resistant covers.
- Logo as required.
- Penta or hex head bolts.
- Can be manufactured in decorative colors.
- Interchangeable covers.
- Available with solid base and gaskets upon request.
- Straight wall design for minimal excavation.
- Stackable.

Catalog Number	Rating	Depth	Weight	Cover	Box
PHA132412S	10k lbs.	12	87	Polymer Concrete	Polymer Concrete
PHA132412H	20k lbs.	12	108	Polymer Concrete	Polymer Concrete
PHA132415S	10k lbs.	15	92	Polymer Concrete	Polymer Concrete
PHA132415H	20k lbs.	15	114	Polymer Concrete	Polymer Concrete
PHA132418S	10k lbs.	18	96	Polymer Concrete	Polymer Concrete
PHA132418H	20k lbs.	18	117	Polymer Concrete	Polymer Concrete

See page 16 for available options and ordering.

## Fiberglass/Polymer Concrete Flushmount Pull Boxes



17 x 30 x 12

17 x 30 x 18

17 x 30 x 24

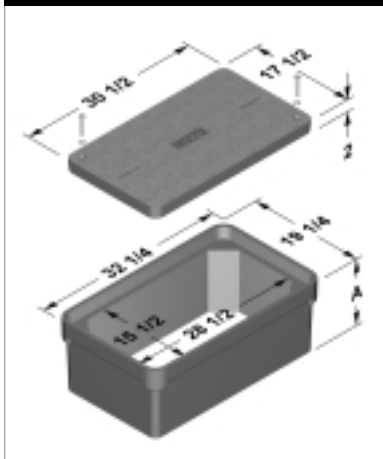
### PRODUCT FEATURES

- Lightweight.
- 10K and 20K load ratings available.
- Loading characteristics conform to the Western Underground Committee recommended guide WUC 3.6.
- Non-conductive.
- Constructed of fire-retardant materials.
- Cable entrances available or are easily cut in field.
- Skid resistant covers.
- Logo as required.
- Penta or hex head bolts.
- Flared design for nestability.
- Can be manufactured in decorative colors.
- Interchangeable covers.
- Available with solid base and gaskets upon request.

Catalog Number	Rating	Depth	Weight	Cover	Box
CHA173012S	10k lbs.	12	100	Polymer Concrete	Fiberglass
CHA173012H	20k lbs.	12	135	Polymer Concrete	Fiberglass
CHA173018S	10k lbs.	18	109	Polymer Concrete	Fiberglass
CHA173018H	20k lbs.	18	144	Polymer Concrete	Fiberglass
CHA173024S	10k lbs.	24	118	Polymer Concrete	Fiberglass
CHA173024H	20k lbs.	24	154	Polymer Concrete	Fiberglass

See page 16 for available options and ordering.

## Polymer Concrete Flushmount Pull Boxes



17 x 30 x 12

17 x 30 x 18

17 x 30 x 24

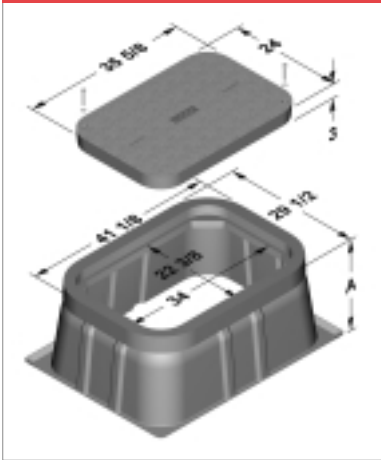
### PRODUCT FEATURES

- 10K and 20K load ratings available.
- Loading characteristics conform to the Western Underground Committee recommended guide WUC 3.6.
- Non-conductive.
- Constructed of fire-retardant materials.
- Skid resistant covers.
- Logo as required.
- Penta or hex head bolts.
- Can be manufactured in decorative colors.
- Interchangeable covers.
- Available with solid base and gaskets upon request.
- Straight wall design for minimal excavation.
- Stackable.

Catalog Number	Rating	Depth	Weight	Cover	Box
PHA173012S	10k lbs.	12	122	Polymer Concrete	Polymer Concrete
PHA173012H	20k lbs.	12	156	Polymer Concrete	Polymer Concrete
PHA173018S	10k lbs.	18	149	Polymer Concrete	Polymer Concrete
PHA173018H	20k lbs.	18	183	Polymer Concrete	Polymer Concrete
PHA173024S	10k lbs.	24	177	Polymer Concrete	Polymer Concrete
PHA173024H	20k lbs.	24	211	Polymer Concrete	Polymer Concrete

See page 16 for available options and ordering.

## Fiberglass/Polymer Concrete Flushmount Pull Boxes



24 x 36 x 18

24 x 36 x 24

24 x 36 x 30

24 x 36 x 36

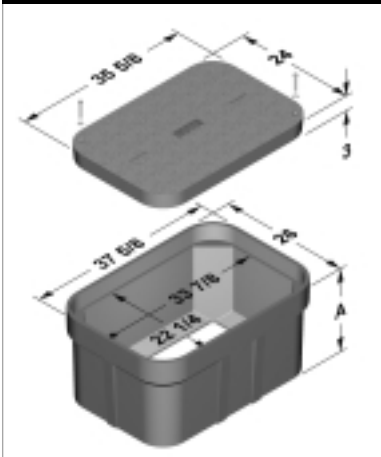
### PRODUCT FEATURES

- Lightweight.
- 10K and 20K load ratings available.
- Loading characteristics conform to the Western Underground Committee recommended guide WUC 3.6.
- Non-conductive.
- Constructed of fire-retardant materials.
- Cable entrances available or are easily cut in field.
- Skid resistant covers.
- Logo as required.
- Penta or hex head bolts.
- Flared design for nestability.
- Can be manufactured in decorative colors.
- Interchangeable covers.
- Available with solid base and gaskets upon request.

Catalog Number	Rating	Depth	Weight	Cover	Box
CHA243618S	10k lbs.	18	169	Polymer Concrete	Fiberglass
CHA243618H	20k lbs.	18	234	Polymer Concrete	Fiberglass
CHA243624S	10k lbs.	24	188	Polymer Concrete	Fiberglass
CHA243624H	20k lbs.	24	253	Polymer Concrete	Fiberglass
CHA243630S	10k lbs.	30	189	Polymer Concrete	Fiberglass
CHA243630H	20k lbs.	30	257	Polymer Concrete	Fiberglass
CHA243636S	10k lbs.	36	199	Polymer Concrete	Fiberglass
CHA243636H	20k lbs.	36	265	Polymer Concrete	Fiberglass

See page 16 for available options and ordering.

## Polymer Concrete Flushmount Pull Boxes



24 x 36 x 18

24 x 36 x 24

24 x 36 x 30

24 x 36 x 36

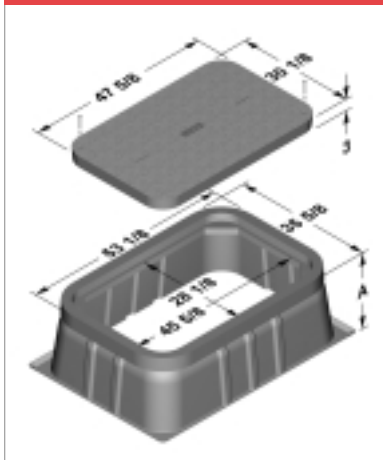
### PRODUCT FEATURES

- 10K and 20K load ratings available.
- Loading characteristics conform to the Western Underground Committee recommended guide WUC 3.6.
- Non-conductive.
- Constructed of fire-retardant materials.
- Skid resistant covers.
- Logo as required.
- Penta or hex head bolts.
- Can be manufactured in decorative colors.
- Interchangeable covers.
- Available with solid base and gaskets upon request.
- Straight wall design for minimal excavation.
- Stackable.

Catalog Number	Rating	Depth	Weight	Cover	Box
PHA243618S	10k lbs.	18	229	Polymer Concrete	Fiberglass
PHA243618H	20k lbs.	18	291	Polymer Concrete	Fiberglass
PHA243624S	10k lbs.	24	268	Polymer Concrete	Fiberglass
PHA243624H	20k lbs.	24	330	Polymer Concrete	Fiberglass
PHA243630S	10k lbs.	30	284	Polymer Concrete	Fiberglass
PHA243630H	20k lbs.	30	346	Polymer Concrete	Fiberglass
PHA243636S	10k lbs.	36	323	Polymer Concrete	Fiberglass
PHA243636H	20k lbs.	36	385	Polymer Concrete	Fiberglass

See page 16 for available options and ordering.

## Fiberglass/Polymer Concrete Flushmount Pull Boxes



30 x 48 x 18

30 x 48 x 24

30 x 48 x 30

30 x 48 x 36

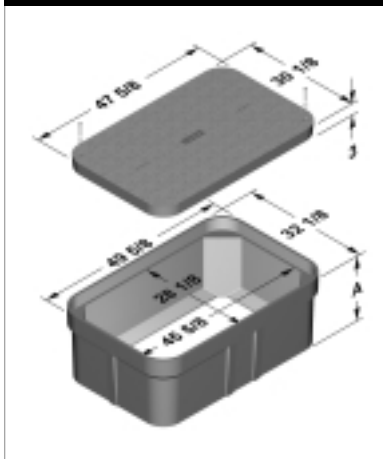
### PRODUCT FEATURES

- Lightweight.
- 10K and 20K load ratings available.
- Loading characteristics conform to the Western Underground Committee recommended guide WUC 3.6.
- Non-conductive.
- Constructed of fire-retardant materials.
- Cable entrances available or are easily cut in field.
- Skid resistant covers.
- Logo as required.
- Penta or hex head bolts.
- Flared design for nestability.
- Can be manufactured in decorative colors.
- Interchangeable covers.
- Available with solid base and gaskets upon request.

Catalog Number	Rating	Depth	Weight	Cover	Box
CHA304818S	10k lbs.	18	288	Polymer Concrete	Fiberglass
CHA304818H	20k lbs.	18	309	Polymer Concrete	Fiberglass
CHA304824S	10k lbs.	24	308	Polymer Concrete	Fiberglass
CHA304824H	20k lbs.	24	330	Polymer Concrete	Fiberglass
CHA304830S	10k lbs.	30	318	Polymer Concrete	Fiberglass
CHA304830H	20k lbs.	30	340	Polymer Concrete	Fiberglass
CHA304836S	10k lbs.	36	338	Polymer Concrete	Fiberglass
CHA304836H	20k lbs.	36	361	Polymer Concrete	Fiberglass

See page 16 for available options and ordering.

## Polymer Concrete Flushmount Pull Boxes



30 x 48 x 18

30 x 48 x 24

30 x 48 x 30

30 x 48 x 36

### PRODUCT FEATURES

- 10K and 20K load ratings available.
- Loading characteristics conform to the Western Underground Committee recommended guide WUC 3.6.
- Non-conductive.
- Constructed of fire-retardant materials.
- Skid resistant covers.
- Logo as required.
- Penta or hex head bolts.
- Can be manufactured in decorative colors.
- Interchangeable covers.
- Available with solid base and gaskets upon request.
- Straight wall design for minimal excavation.
- Stackable.

Catalog Number	Rating	Depth	Weight	Cover	Box
PHA304818S	10k lbs.	18	345	Polymer Concrete	Fiberglass
PHA304818H	20k lbs.	18	363	Polymer Concrete	Fiberglass
PHA304824S	10k lbs.	24	396	Polymer Concrete	Fiberglass
PHA304824H	20k lbs.	24	414	Polymer Concrete	Fiberglass
PHA304830S	10k lbs.	30	448	Polymer Concrete	Fiberglass
PHA304830H	20k lbs.	30	467	Polymer Concrete	Fiberglass
PHA304836S	10k lbs.	36	503	Polymer Concrete	Fiberglass
PHA304836H	20k lbs.	36	521	Polymer Concrete	Fiberglass

See page 16 for available options and ordering.