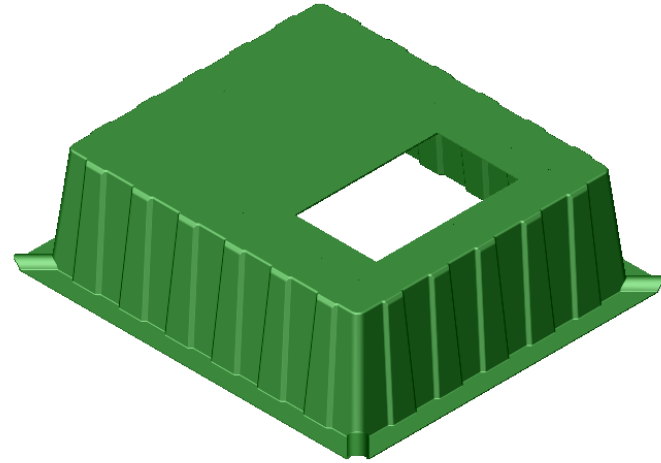
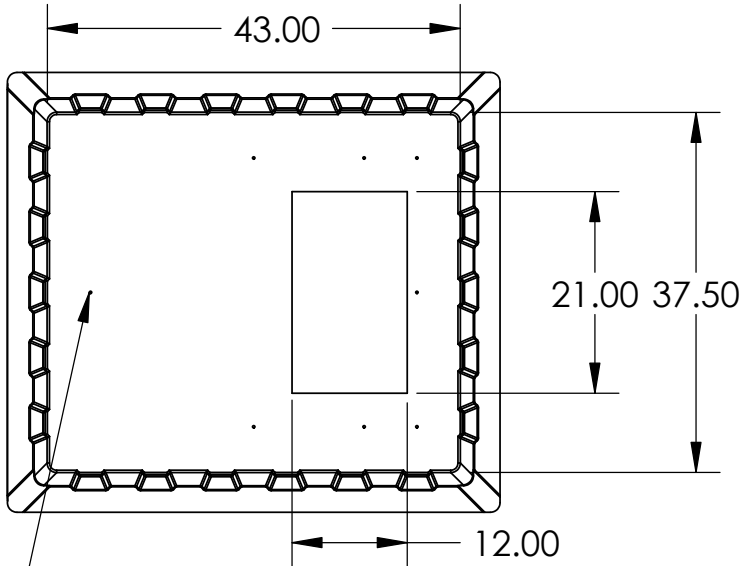
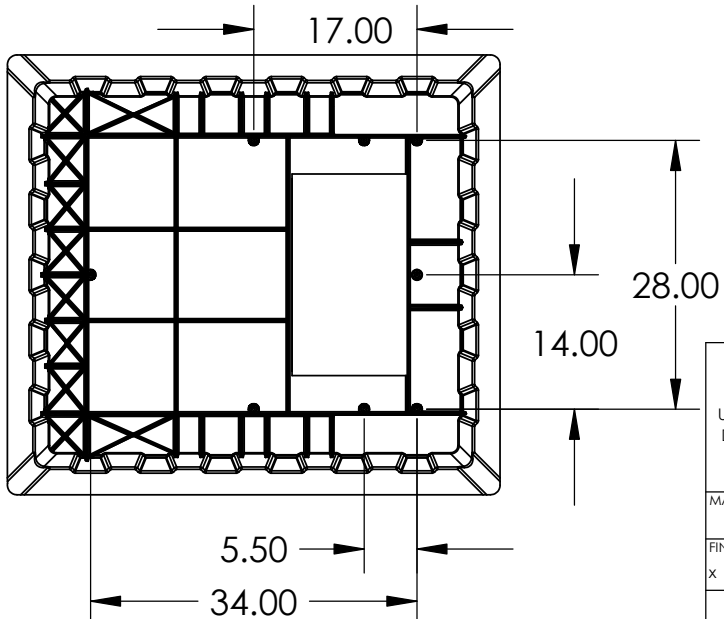
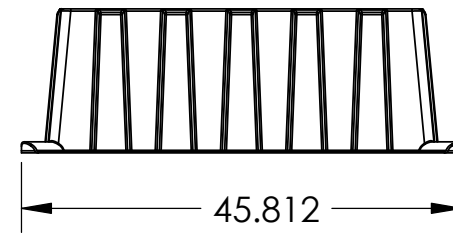


THE INFORMATION CONTAINED IN THIS DRAWING IS THE SOLE PROPERTY OF HIGHLINE. ANY REPRODUCTION IN PART OR WHOLE WITHOUT THE WRITTEN PERMISSION OF HIGHLINE IS PROHIBITED.



3/8" NUTSERTS



| | | | | |
|--|--|---------|--------------------------------------|----------------------|
| UNLESS OTHERWISE SPECIFIED DIMENSIONS ARE IN INCHES | CAD GENERATED DRAWING, DO NOT MANUALLY UPDATE | | HIGHLINE PRODUCTS | |
| | APPROVALS | DATE | Waltham, MA 02453-1480 | |
| | DRAWN: KAJ | 22JUN04 | HL374315-1221 TRANSFORMER BOX PAD | |
| MATERIAL | COMPRESSION MOLDED FIBERGLASS | | REV. -- | |
| FINISH | X | | SIZE A | DWG. NO. |
| DO NOT SCALE DRAWING | | | SCALE: 1:20 | CAD FILE: HL374315-X |
| | | | SHEET: 1 OF 1 | |