

Series 1320 - 12" High Jumbo Box

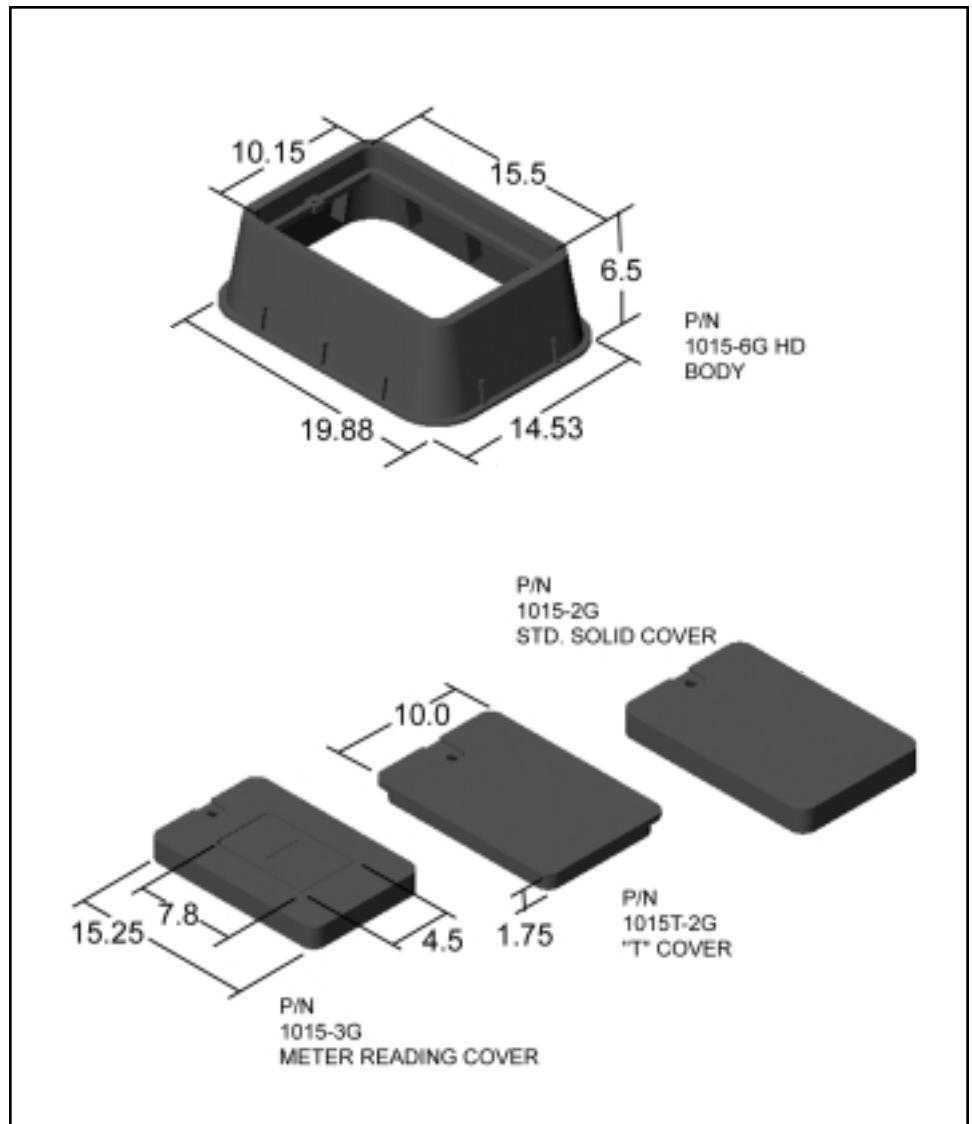
PRODUCT FEATURES

- Lightweight.
- High top-load strength.
- Reduced side draft easier to adjust to grade.
- Nestable for storage or shipping.
- Single or double pipe ports.
- U.V. stable for longer life.
- Stainless steel hardware hex head or penta head bolt.

STOCK COVER IDENTIFICATIONS

- Irrigation control valve (ICV)
- Water (solid or meter door)
- Electric (green or gray)
- Reclaimed water (green or lavender)
- Blank (no cover marking)
- Sewer
- RCV
- CATV
- Telephone
- Street lighting

When ordering, please specify color, cover identification, and bolt down type. For use in non-vehicle traffic areas. Not recommended for installation in concrete or asphalt without felt expansion joint.



12" RECTANGULAR • 40 per pallet

Catalog Number	Description	Weight
1320-1G2G	12" Body & Solid Cover	11.25 Lbs.
1320-1G3G	12" Body & Meter Reading Cover	11.25 Lbs.
1320-1G	12" Body Only	7.50 Lbs.
1320-2G	Cover Solid	3.75 Lbs.
1320-3G	Meter Reading Cover (optional pre-drilled AMR probe hole available)	3.75 Lbs.