

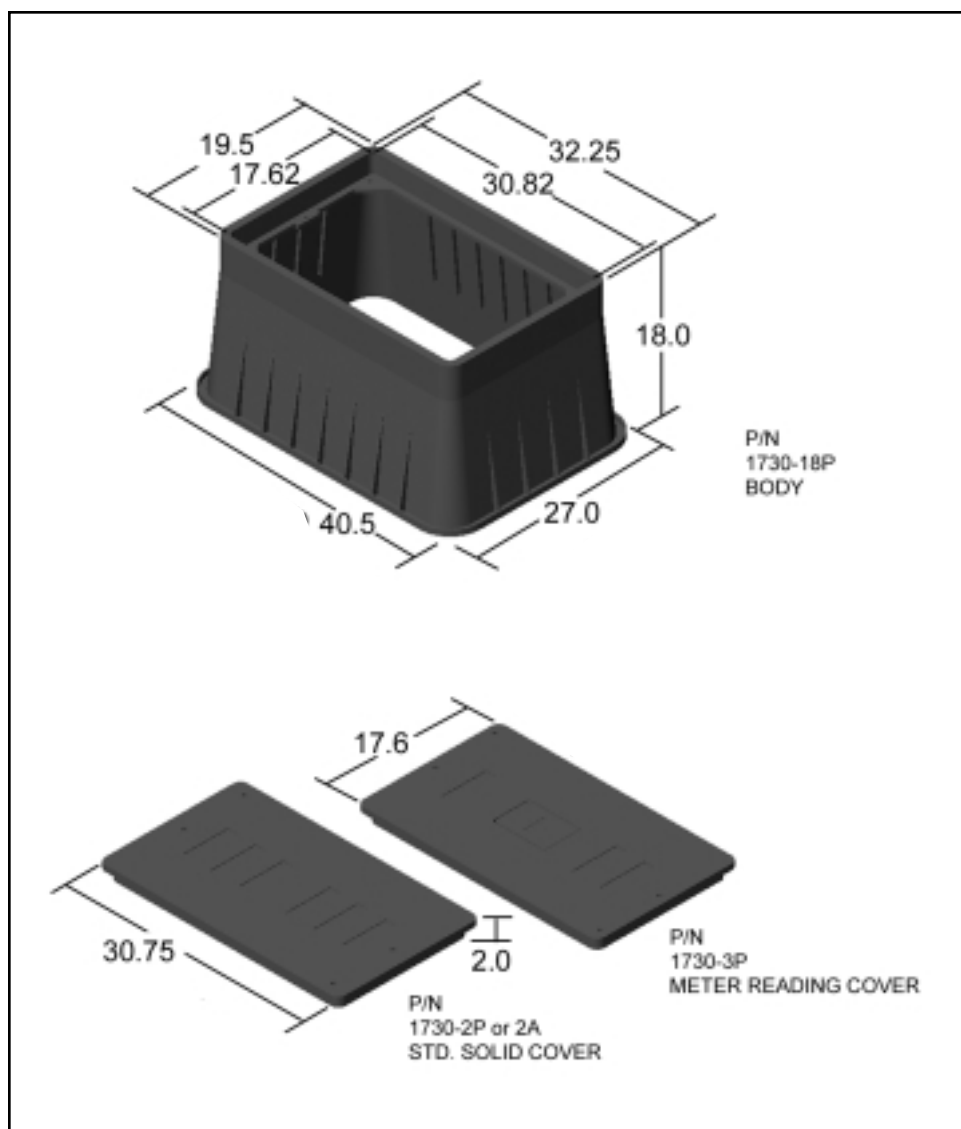
## PRODUCT FEATURES

- Available with centerline or diagonal bolt pattern.
- Lightweight.
- High top-load strength.
- Reduced side draft easier to adjust to grade.
- Nestable for storage or shipping.
- Single or double pipe ports.
- U.V. stable for longer life.
- Stainless steel hardware hex head or penta head bolt.

## STOCK COVER IDENTIFICATIONS

- Irrigation control valve (ICV)
- Water (solid or meter door)
- Electric (green or gray)
- Reclaimed water (green or lavender)
- Blank (no cover marking)
- Sewer
- RCV
- CATV
- Telephone
- Street lighting

When ordering, please specify color, cover identification, and bolt down type. For use in non-vehicle traffic areas. Not recommended for installation in concrete or asphalt without felt expansion joint.



18" UTILITY BOX • 16 per pallet

Catalog Number	Description	Weight
1730-18P2P	18" Body, with Poly Cover	35.0 Lbs.
1730-18P2A	18" Body, with ABS Cover	36.3 Lbs.
1730-18P3P	18" Body, with Poly Meter Reader Cover	35.0 Lbs.
1730-18P	18" Body	24.0 Lbs.
1730-2P	17" x 30" Poly Cover	11.0 Lbs.
1730-2A	ABS Cover	13.3 Lbs.
1730-3P	17" x 30" Meter Reading Cover	11.0 Lbs.