

# Series 608 - 6" Round Econo Series 610 - 6" Round

## PRODUCT FEATURES

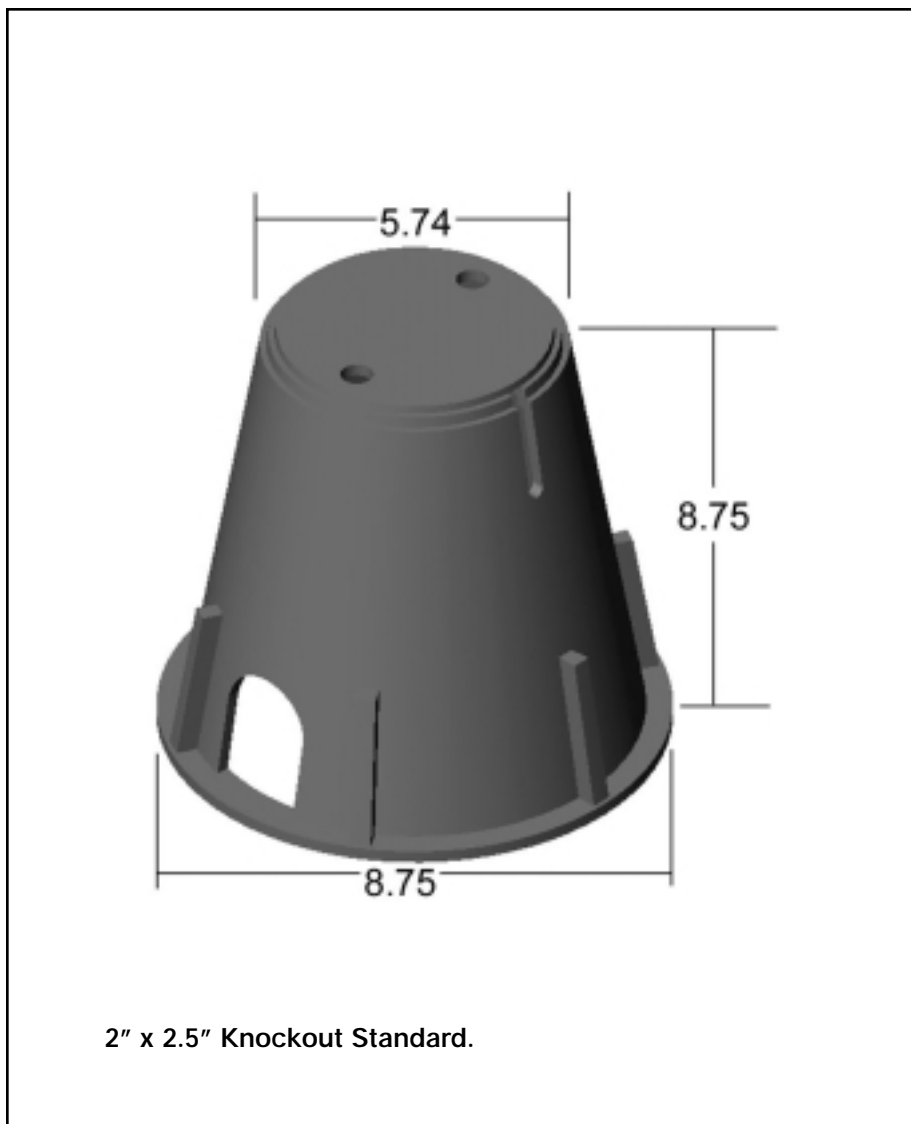
- Twist lock cover.
- Greater working area.
- High top-load strength.
- Lightweight, simplified storage and handling.
- U.V. stable for longer field life.

Special color & cover markings available.

## STOCK COVER IDENTIFICATIONS

- Irrigation control valve (ICV)
- Water (solid or meter door)
- Electric (green or gray)
- Reclaimed water (green or lavender)
- Blank (no cover marking)
- Sewer
- CATV
- Telephone
- Street lighting

When ordering, please specify color and cover identification. For use in non-vehicle traffic areas. Not recommended for installation in concrete or asphalt without felt expansion joint.



### Series 608 • 6" STD. • 16 per sleeve • 256 per pallet

Catalog Number	Description	Color	Weight
608-1B2G	Body & Solid Cover	Black Body with Green Cover	1.25 Lbs.
608-1B	Body Only	Black	1.00 Lbs.
608-2G	Cover Only	Green	.25 Lbs.

### Series 610 • 6" STD. • 16 per sleeve • 256 per pallet

Catalog Number	Description	Color	Weight
610-1G2G	Body & Solid Cover	Black Body with Green Cover	1.55 Lbs.
610-1B	Body Only	Black	1.30 Lbs.
610-2G	Cover Only	Green	.25 Lbs.